



# HOIST BRACKET RETROFIT KIT

*for Model 300 Installation Instructions*

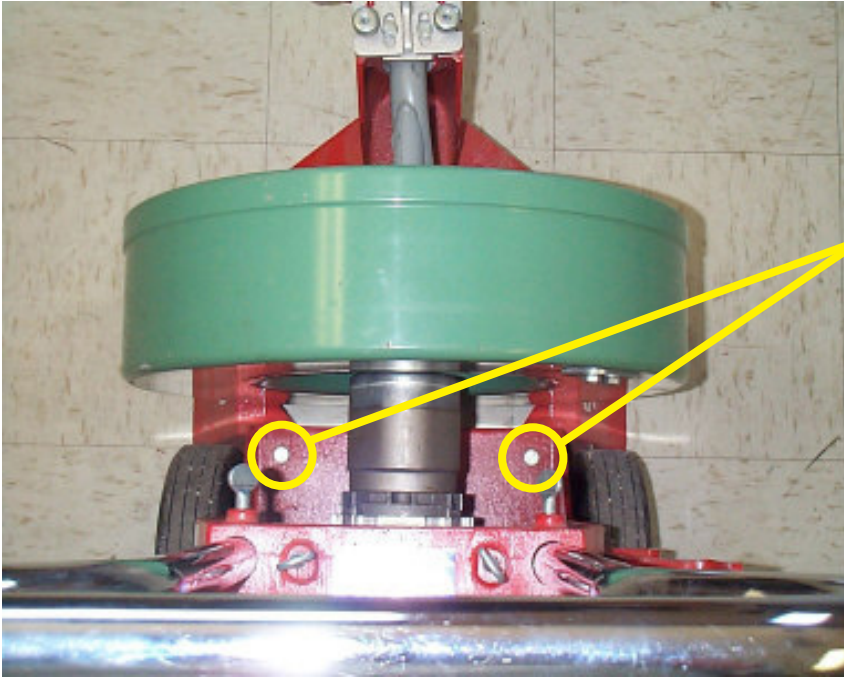


## **INSTALLATION INSTRUCTIONS**

*The Model 300 has two different installation processes based on the age of the model. For the Model 300 multi-piece frame (2018 and older), use the instructions on page 2. For the Model 300 single piece frame (2019 and newer), follow the instructions on page 3.*

## INSTALLING THE BRACKET

The version of the Model 300 that was made in 2018 or before with a multi-piece frame. Follow the instructions below to install the bracket using the existing hardware.



Disassemble the outlined two bolts from the frame shown in Fig. 1

**Fig. 1**

Reassemble with the hoist bracket, using the existing hardware. As shown in Fig. 2.

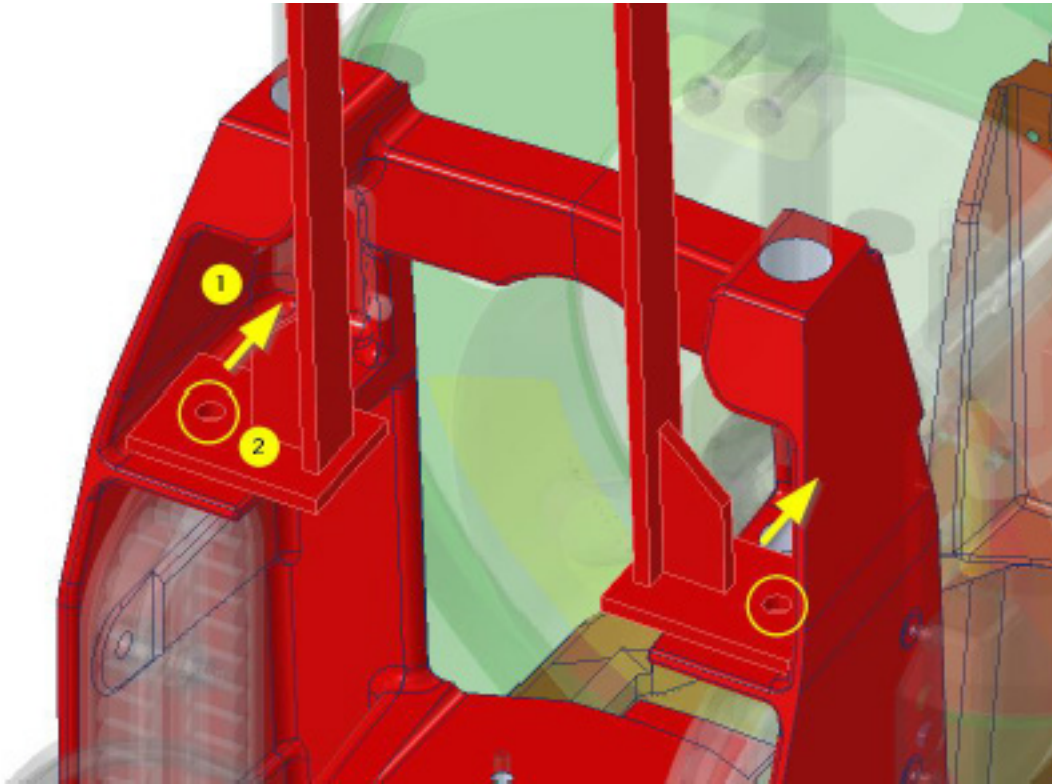


**Fig. 2**

## INSTALLING THE RETROFIT KIT

Install the Retrofit Kit for the single piece frame version on the Model 300 that was made in 2019 or after. Follow the instructions below to retrofit the bracket to the newer Model 300 design with the kit hardware.

1. Place the hoist bracket on the back of the cable machine and move toward the drum as far as possible.
2. Mark the center of the holes of the bracket for drilling or drill the hole with the bracket in place using a  $\varnothing 0.406''$  (13/32) Drill Bit.



3. Install fasteners as shown on both sides

