



SPARTAN TOOL

FOR TOUGH CUSTOMERS. SINCE 1943.



Standard Warrior

SERVICE MANUAL Standard, Hi-Flow & Ultimate Warrior Trailer Jetter

Spartan Tool LLC | 1618 Terminal Road | Niles, MI 49120
order by phone **800.435.3866** order online **SpartanTool.com**



Contents

| | |
|--|-----------|
| HOW TO USE PARTS & ACCESSORIES MANUAL | 4 |
| SPECIAL NOTE | 4 |
| WARRIOR FINAL ASSEMBLY - 799200T4 | 5 |
| FRONT ENCLOSURE ASSEMBLY - 79958400 | 15 |
| LIFT UP DOOR ASSEMBLY - 79961000 | 16 |
| POWER PACK ASSEMBLY - 79925000 | 18 |
| ASSY, PUMP WARRIOR - 79940200 | 24 |
| PUMP PARTS LIST - 79802500 | 26 |
| PUMP - EXPLODED VIEW - 79802500 | 27 |
| UNLOADER GIANT 22973C - 79803700 | 28 |
| HYDRAULIC TANK ASSEMBLY - 79922200 | 30 |
| WATER/ANTIFREEZE SUPPLY ASSEMBLY - 79940100 | 31 |
| DRAIN VALVE ASSEMBLY - 79959000 | 32 |
| FILL REEL ASSEMBLY - 79940470 | 33 |
| WASH DOWN ACCESSORY PACKAGE - 73817300 | 34 |
| HANDGUN LANCE V-NOZZLE ASSEMBLY - 77799800 | 34 |
| BASEPLATE ASSEMBLY T4 - 79958600 | 35 |
| RECIRC HOSE ASSY, WATER TANK - 79949000 | 37 |
| HYDRANT FILL WATER TANK ASSY - 79985850 | 38 |
| ASSY, TANK FILL - 79928600 | 39 |
| HYDRANT FILL ASSY, WARRIOR - 79958000 | 39 |
| LATCH ASSEMBLY, 90 DEG LOWER - 79957000 | 40 |
| HIGH PRESSURE REEL ASSEMBLY - 79958300 | 41 |
| HOSE GUIDE ASSEMBLY - 79962700 | 43 |

| | |
|---|-----------|
| ASSY, HYD VALVE SINGLE SECTION - 79948170 | 44 |
| ASSY, HYD VALVE OPERATOR - 79915600 | 45 |
| ASSY, TANDEM SOLENOID VALVE - 79948220 | 45 |
| ASSY, HP NIPPLE/GAUGE WARRIOR - 79962600 | 46 |
| ASSY, HP NIPPLE-GAUGE & VALVE - 79960300 | 46 |
| ASSY, HI-TORQUE MOTOR W/SPROCKET - 79932180 | 47 |
| LATCH ASSY, 180 PIVOT DBL PIN - 79962400 | 48 |
| OPTIONAL WIRELESS REMOTE CONTROL - 79947900 | 49 |
| OPTIONAL FOOTAGE COUNTER - 79975000 | 53 |
| CONTROL BOX ASSEMBLY - 79953600 | 55 |
| FINAL WIRING SCHEMATIC TERMINAL BLOCK - 79944700 | 57 |
| WIRING HARNESS - 79953300 | 58 |
| WARRIOR WIRING SCHEMATIC CONTROL SYSTEM 79944700 | 59 |
| WIRING SCHEMATIC REMOTE CONTROL - 79944700 | 60 |
| WIRING HARNESS T4 REMOTE - 79953400 | 61 |
| WIRING HARNESS T4 ENGINE CONTROL 79953500 | 62 |
| WIRING HARNESS CONTROL BOX 79953600 | 63 |
| TRAILER WIRING HARNESS - 79946300 | 64 |
| STANDARD & OPTIONAL ACCESSORIES | 66 |
| TIRE SAFETY INFORMATION | 67 |
| SAFETY INFORMATION | 70 |
| DIESEL & GAS ENGINE EMISSIONS | 71 |
| DIESEL ENGINE FILTERS AND CAPACITIES | 72 |
| WARRANTY INFORMATION | 73 |



How To Use Parts & Accessories Manual

Spartan Tool will supply all parts or accessories you require as quickly as possible. In order to do so, we must have information from you, including machine serial number and part numbers.

Please record the serial number of your machine in the space provided below:

Spartan Warrior

Serial No. _____

Using the part numbers, please contact your Spartan Territory Manager, the home office at (800) 435-3866, or online at www.spartantool.com.

Thank You.



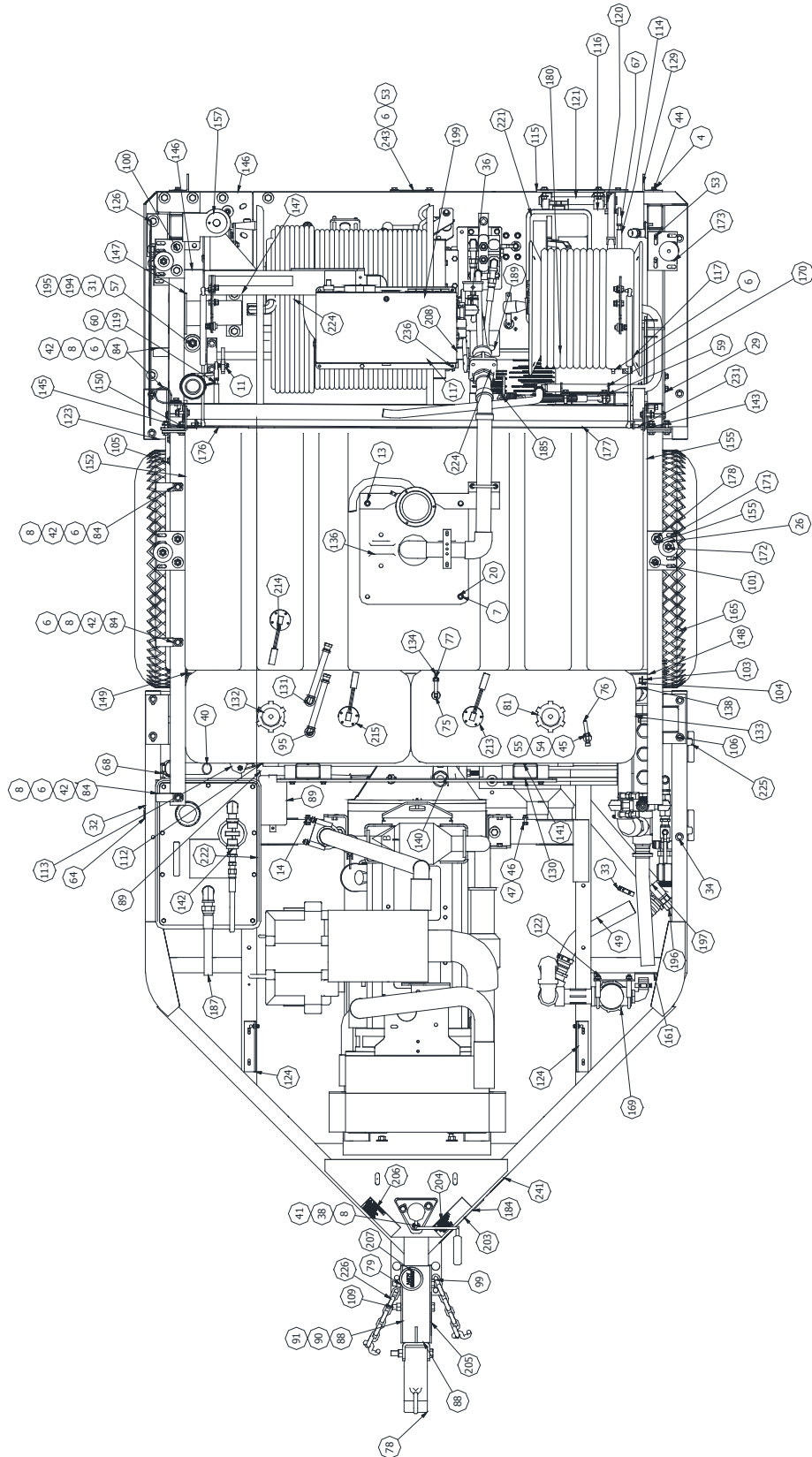
Special Note

We at Spartan wish to help you maintain the safety, performance and appearance of your new Spartan Warrior. This manual is provided to aid in ordering replacement parts. It is not intended to be used as an operating guide. See your operating manual for important safety precautions, operating instructions and troubleshooting aids.

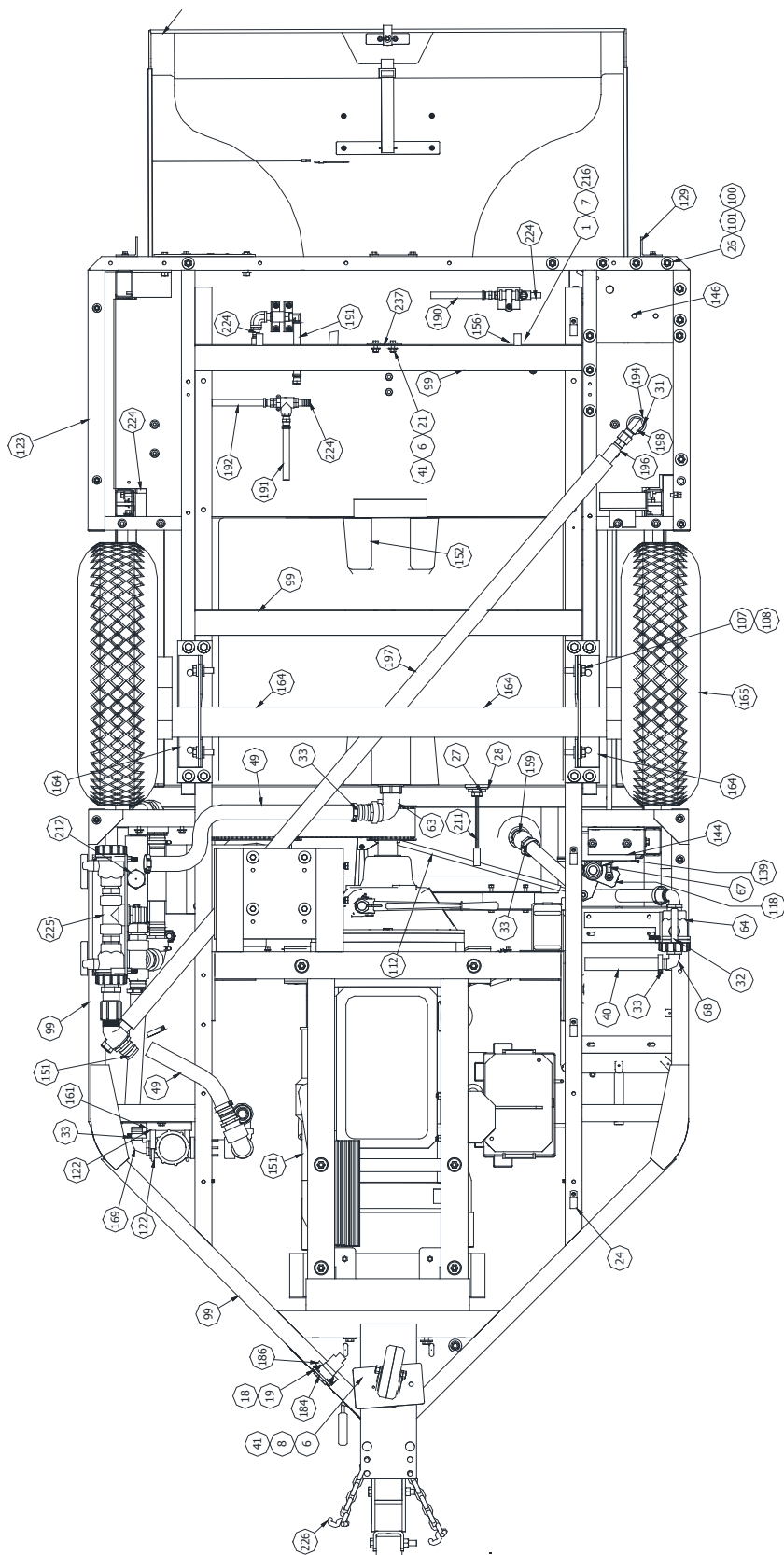
Though much of your Warrior Jet is user serviceable, trained professional mechanics may be needed with pump, plumbing, engine, lights, hitch and axle experience.

- Contact Spartan Tool for all engine repair or troubleshooting.
- Contact Spartan Tool or consult the Pump Repair Manual for all pump repair or troubleshooting.
- All plumbing repairs should use Spartan parts. The high pressure plumbing has been designed for pressures greater than 4000 PSI. Substituting parts is dangerous and voids Spartan warranties. Use standard pipe sealing compound or “Teflon”[®] tape to seal all joints except swivel joints and hose nozzles (o-rings, seals, and tapered seat designs do not require sealing materials).

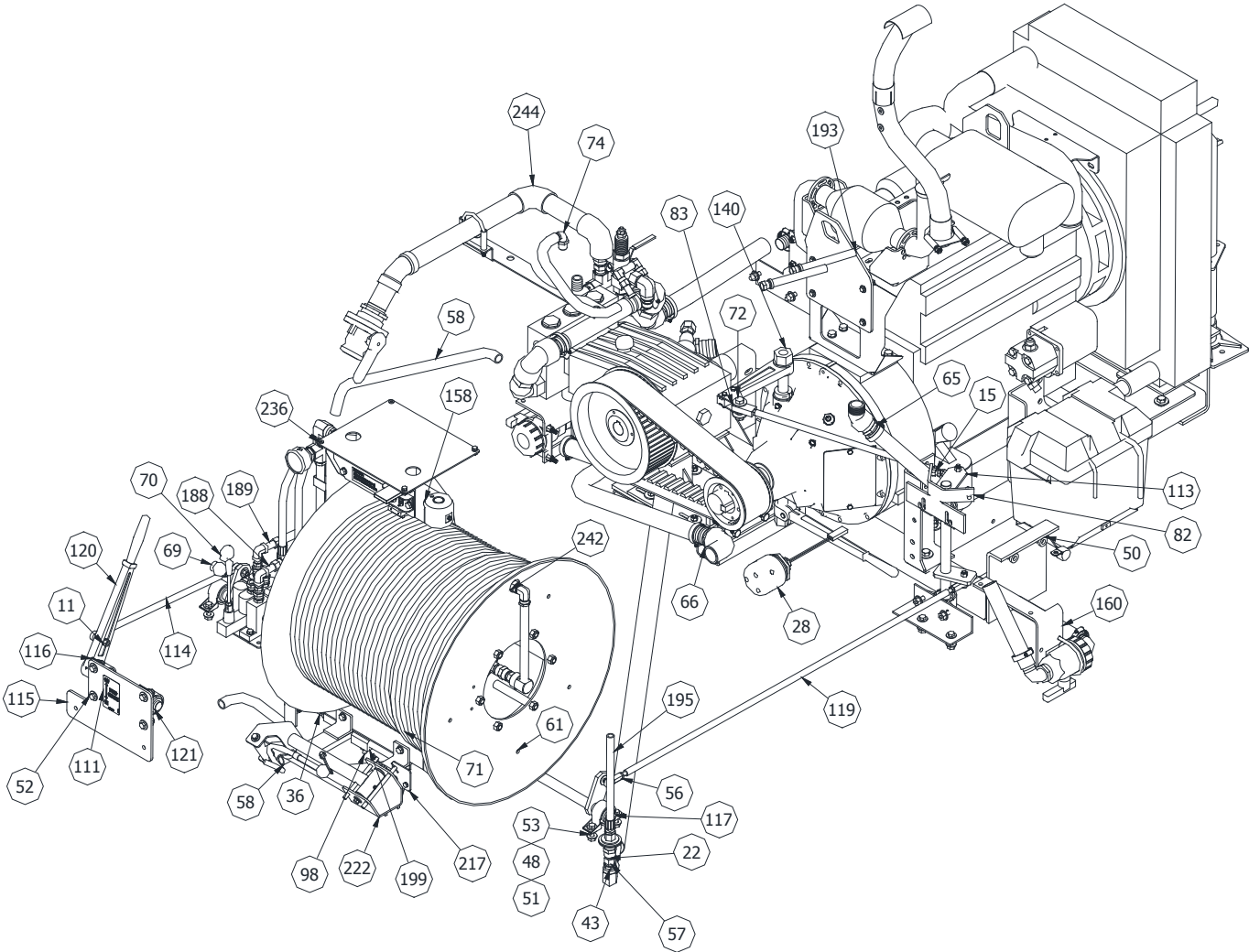
Warrior Final Assembly - 799200T4



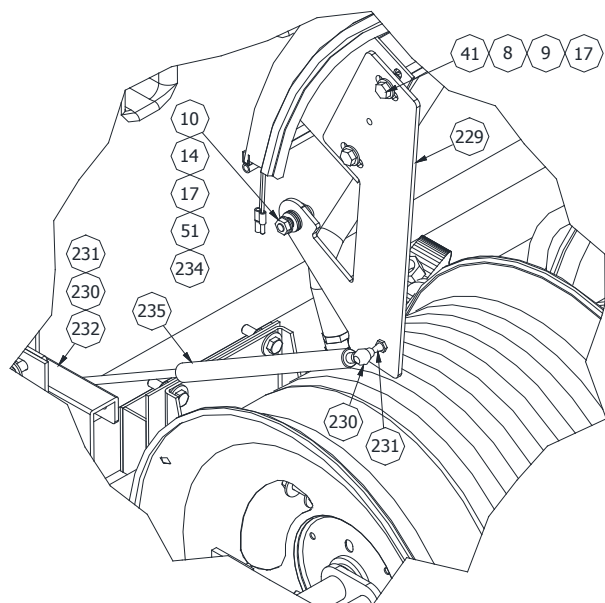
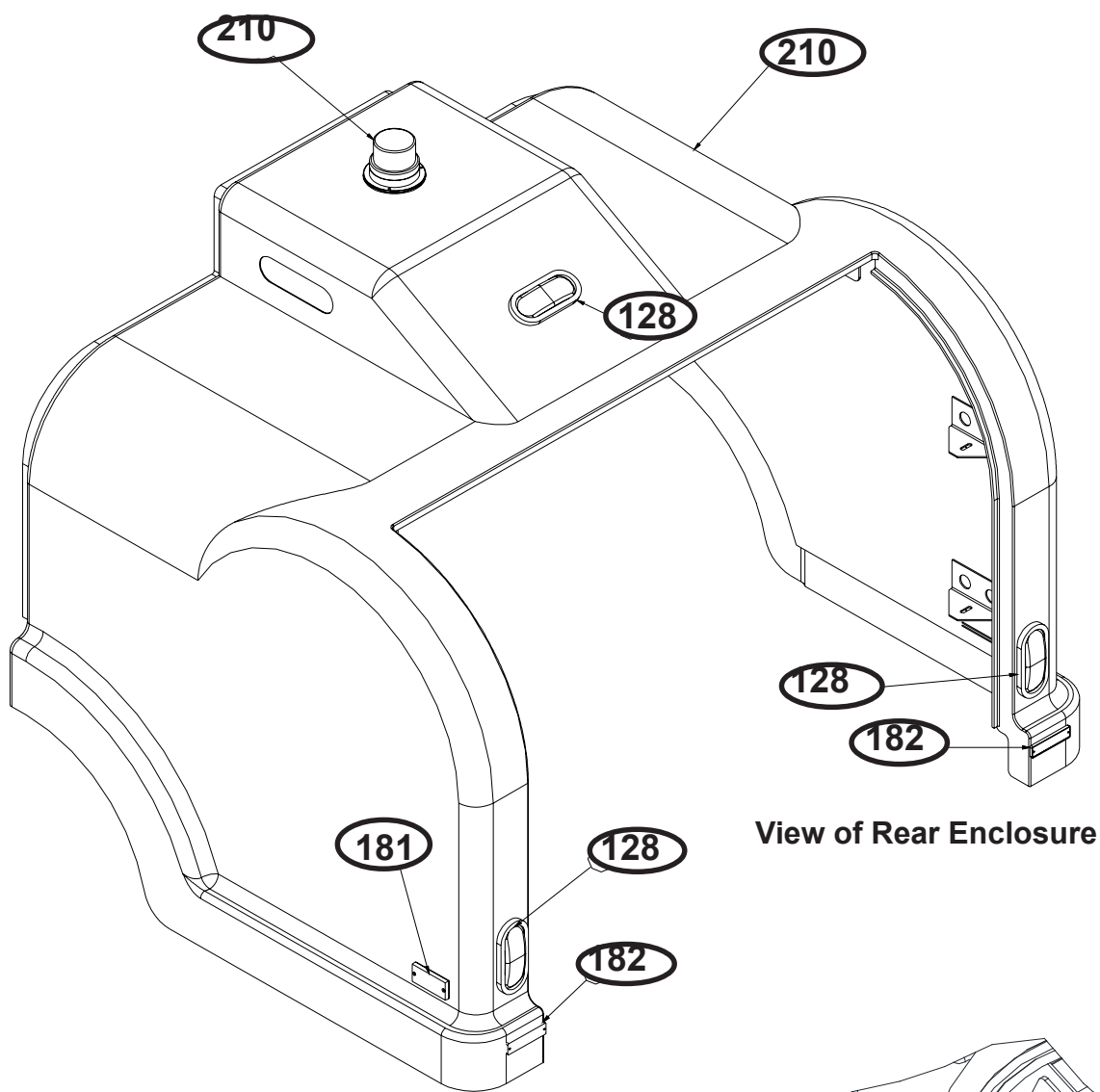
Warrior Final Assembly - 799200T4



Warrior Final Assembly - 799200T4



Warrior Final Assembly - 799200T4



Warrior Final Assembly - 799200T4

| Item | Part No. | Description | Qty. |
|------|-----------|-------------------------------------|------|
| 1 | 00113500 | Screw, Hex Head Cap 1/4-20 x 1/2 | 4 |
| 2 | 00113600 | Screw, Hex Hd Cap 1/4-20 x 5/8 | 2 |
| 3 | 00113901 | Screw, Hex Hd Cap 1/4-20 x 1 ZN | 2 |
| 4 | 00115100 | Screw, Hex Hd Cap 5/16-18 x 1" | 4 |
| 5 | 00115300 | Screw, Hex Hd Cap 5/16-18 x 1-1/4" | 1 |
| 6 | 00162700 | Washer, Flat 3/8 | 70 |
| 7 | 00165400 | Washer, Lock Split 1/4 | 12 |
| 8 | 00165800 | Washer, Lock Split 3/8 | 24 |
| 9 | 01733900 | Nut, Hex 3/8-16 | 4 |
| 10 | 02820700 | Nut, Heavy Hex Jam 5/16-18 | 2 |
| 11 | 02821100 | Nut, Hex 3/8-24 | 5 |
| 12 | 02821200 | Nut, Nylcok Jam 1/4-20 | 12 |
| 13 | 02825100 | Washer, Flat 1/4 USS | 22 |
| 14 | 02899200 | Washer, Flat 5/16 USS | 25 |
| 15 | 02934100 | Nut, Hex 3/8-16 | 2 |
| 16 | 03004100 | Nut, Std Hex 5/16-18 | 3 |
| 17 | 03366300 | Washer, Flat 3/8 SAE | 18 |
| 18 | 03850100 | Nut, Hex Kep 10-32 | 4 |
| 19 | 04723100 | Screw, Machine 10-32 x 5/8" | 4 |
| 20 | 521012-04 | Screw, Hex Hd 1/4-20 x 1-1/2 | 8 |
| 21 | 522132-00 | Nut, Nylon Locking 3/8-16 | 6 |
| 22 | 542106-04 | Coupling, 1/2 Steel | 1 |
| 23 | 71705500 | Screw, Hx Hd 1/4-20 x 1-1/4 | 4 |
| 24 | 72715100 | Clamp, Hose 1½ I.D. Rubber Coated | 8 |
| 25 | 73821200 | Nut, Nylon Locking 1/4-20 | 5 |
| 26 | 73826900 | Washer, Flat 1/2 USS High Strength | 118 |
| 27 | 73827600 | Bushing, Reducer (Modified) | 1 |
| 28 | 73827800 | Bulkhead Fitting w/PVC Cap | 1 |
| 29 | 73829700 | U-Bolt, Square 2" x 2-5/8" (3/8-16) | 1 |
| 30 | 73830200 | Bearing, Flanged Bronze 7/8 Shaft | 2 |
| 31 | 73830400 | Washer, Flat 7/8 SAE | 2 |
| 32 | 73831000 | U-Bolt, 3" Tube OD w/Nuts | 1 |
| 33 | 73831200 | Clamp, Hose 1-1/16" - 2" #24 | 9 |
| 34 | 73832400 | Screw, Hex Hd 3/8-16 x 4-3/4 | 5 |

| Item | Part No. | Description | Qty. |
|------|----------|------------------------------------|-------|
| 35 | 75845700 | Caster, Jack | 1 |
| 36 | 75851406 | Striker Plate, Transit Lock | 1 |
| 37 | 75852401 | Washer, .281 ID x 1.5 OD Black | 8 |
| 38 | 75852700 | Washer, 3/8" ID USS GRD 9 | 89 |
| 39 | 75860900 | Soldier Enclosure Aerolatch | 2 |
| 40 | 77710200 | Hose 1-1/4 x 4 Spiral SM | 4 |
| 41 | 77738100 | Screw, Cap Hex Hd 3/8-16 x 1 | 17 |
| 42 | 77738300 | Screw, Cap Hex Hd 3/8-16 x 3/4 | 6 |
| 43 | 77742600 | Bushing, Reducer 3/4 x 1/2 | 1 |
| 44 | 77743400 | Washer, Lock Split 5/16 | 6 |
| 45 | 77746000 | Clamp, Hose 7/32 - 5/8 S.S. | 2 |
| 46 | 77747700 | Screw, Cap Hex Hd 5/16-18X1 | 20 |
| 47 | 77747800 | Nut, Hex 5/16-18 | 12 |
| 48 | 77748000 | Nut, Stover Lock 3/8-16 UNC | 26 |
| 49 | 77748200 | Hose 1-1/2 ID x 4 Spiral | 2 |
| 50 | 77754900 | Washer, Robo 1/2" | 4 |
| 51 | 77755000 | Washer, Robo 3/8" | 6 |
| 52 | 77759900 | Screw, Cap Hx 3/8-16 x 1-1/4 | 6 |
| 53 | 77760000 | Screw Hex Hd Cap 3/8-16 x 1-1/2 | 18 |
| 54 | 77765803 | Grommet, Gas Tank | 2 |
| 55 | 77765804 | Valve, Gas Tank | 1 |
| 56 | 77766000 | Nut, Jam 3/8-24 | 6 |
| 57 | 77770800 | Nipple, Hex 1/2 NPT | 1 |
| 58 | 77785900 | Hose, Push Lok 3/4 | 12 ft |
| 59 | 77799800 | Spraygun Assembly | 1 |
| 60 | 77800600 | Assy, Hose Guard 2" | 1 |
| 61 | 79803400 | HP Hose Assy 1/2" x 500ft 4000 PSI | 1 |
| 62 | 79807300 | Jack Stand-Foot | 1 |
| 63 | 79811400 | Elbow, 90 Degree Street 1-1/2 Poly | 1 |
| 64 | 79811500 | Valve, Ball 1-1/4FNPT x 1-1/4F | 1 |
| 65 | 79812000 | Hose Barb, 1-1/4 Polypropylene | 1 |
| 66 | 79812100 | Barb, Hose 1-1/2 MPT x 1-1/2 PO | 1 |
| 67 | 79815700 | Rod End, Ball Joint 3/8-24 | 5 |
| 68 | 79818600 | Hose Barb, 1-1/4 Polypropylene | 2 |

Warrior Final Assembly - 799200T4

| Item | Part No. | Description | Qty. |
|------|----------|-----------------------------------|------|
| 69 | 79824600 | Nozzle, 798 Closed | 1 |
| 70 | 79824700 | Nozzle, 798 Open | 1 |
| 71 | 79824900 | Hose, Leader 1/2" x 15' Red | 1 |
| 72 | 79829900 | Screw, Hx Hd Cap 1/2-13 x 2 | 1 |
| 73 | 79831400 | Screw, Socket Hd 1/4-20 x 2 | 1 |
| 74 | 79843900 | 3/4" Hose Barb x 1/2" MNPT Elbow | 1 |
| 75 | 79849200 | Elbow, 90 Deg Bushed | 1 |
| 76 | 79849800 | Hose Fuel 5/16 ID | 2 |
| 77 | 79849900 | Hose Fuel 3/16 ID | 1 |
| 78 | 79853500 | Adjustable, Coupler-2" Ball | 1 |
| 79 | 79854500 | Nut, Hex Lock 5/8-11 | 4 |
| 80 | 79858200 | Screw, Hex Hd 3/8-16 x 2-1/2 | 2 |
| 81 | 79864300 | Cap, Fuel Tank | 1 |
| 82 | 79864400 | Stop Link Arm 798 | 1 |
| 83 | 79865900 | Rod End, Front Clutch Lever | 1 |
| 84 | 79868500 | Clamp, Hose 2" Vinyl Coated | 6 |
| 85 | 79873500 | Assy, Hose Anti-Turn Around | 1 |
| 86 | 79900300 | Connector, 7 Pole - Trailer End | 1 |
| 87 | 79900600 | Assembly, 7 Pole Quick Release 6' | 1 |
| 88 | 79901800 | Weldment, Hitch | 1 |
| 89 | 79904200 | Breakaway Kit, with Charger | 1 |
| 90 | 79904210 | Switch, Breakaway Replacement | 1 |
| 91 | 79904220 | Pin & Cable Replacement | 1 |
| 92 | 79904462 | ST ELB 45D 1/2 NPT Brass | 1 |
| 93 | 79904464 | ST El 90D 1/2 NPT Brass | 1 |
| 94 | 79904477 | Adapter, 1/2 NPT - Barb Brass | 1 |
| 95 | 79904478 | EL 90D 1/2 NPT - Barb Brass | 2 |
| 96 | 79904491 | Plate, Hose Swivel Mount | 1 |
| 97 | 79904492 | Adapter, Garden Hose 3/4M - 1/2FM | 1 |
| 98 | 79909900 | Screw, Socket HD 3/8-16 x 1-3/4 | 2 |
| 99 | 79920100 | Weldment, Frame 1 o 2 Axle | 1 |
| 100 | 79920140 | Hex Hd Bolt 1/2-13 x 4-1/2 GR8 | 26 |
| 101 | 79920141 | Nut, Hx GR8 1/2-13 STOVER | 47 |
| 102 | 79920145 | Hex Hd Bolt 1/2-13 x 1-1/2 GR8 | 6 |

| Item | Part No. | Description | Qty. |
|------|----------|---------------------------------|------|
| 103 | 79920150 | Hex Hd Bolt 3/8-16 x 1-1/2 GR8 | 31 |
| 104 | 79920151 | Nex Nut, 3/8-16 Grade 8 | 43 |
| 105 | 79920152 | Hex Hd Bolt 3/8-16 x 3 GR8 | 6 |
| 106 | 79920153 | Hex Hd Bolt 3/8-16 x 4-1/2 GR8 | 8 |
| 107 | 79920160 | Screw, Hex GR8 5/8-18 x 2 | 4 |
| 108 | 79920161 | Washer, Flat 5/8 GR8 | 8 |
| 109 | 79920170 | Screw, Hex GR8 5/8-18 x 5 | 4 |
| 110 | 79920191 | Plate, Jackstand Brace | 1 |
| 111 | 79920236 | Decal, Clutch On-Off | 1 |
| 112 | 79920238 | Cross Tie, Clutch Link | 1 |
| 113 | 79920239 | Weldment, Top Clutch Pivot | 1 |
| 114 | 79920271 | Tie Rod, Short | 1 |
| 115 | 79920273 | Plate, Bearing Mount | 1 |
| 116 | 79920274 | Pillow Block 1" Steel | 6 |
| 117 | 79920282 | Weldment, Rear Clutch Shaft | 1 |
| 118 | 79920283 | Weldment, Front Clutch Shaft | 1 |
| 119 | 79920288 | Weldment, Diesel Clutch Linkage | 1 |
| 120 | 79920289 | Handle, Clutch Lever | 1 |
| 121 | 79920298 | Shaft, Short Clutch | 1 |
| 122 | 79920330 | Clamp, Exhaust 2-1/2 | 2 |
| 123 | 79920500 | Weldment, Rear Transformer | 1 |
| 124 | 79920625 | Bracket, Lower Gas Strut | 2 |
| 125 | 79920628 | Ball Stud, Gas Strut | 2 |
| 126 | 79920630 | Spartan Logo | 2 |
| 127 | 79920700 | Assy, Rear Enclosure | 1 |
| 128 | 79920720 | Breaklight, Oval Lamp | 3 |
| 129 | 79920770 | Angle, Rear Encls Frame Mounts | 2 |
| 130 | 79921330 | Heat Shield | 1 |
| 131 | 79921400 | Tank, Anti-Freeze (2008) | 1 |
| 132 | 79921410 | Cap, Anti-Freeze Tank | 1 |
| 133 | 79921500 | Tank, Diesel Fuel 2008 | 1 |
| 134 | 79921510 | Reducing Coupling 3/8 x 1/4 | 1 |
| 135 | 79921530 | Grommet, Fuel Tank | 1 |
| 136 | 79921700 | Baffle - Insert | 1 |

Warrior Final Assembly - 799200T4

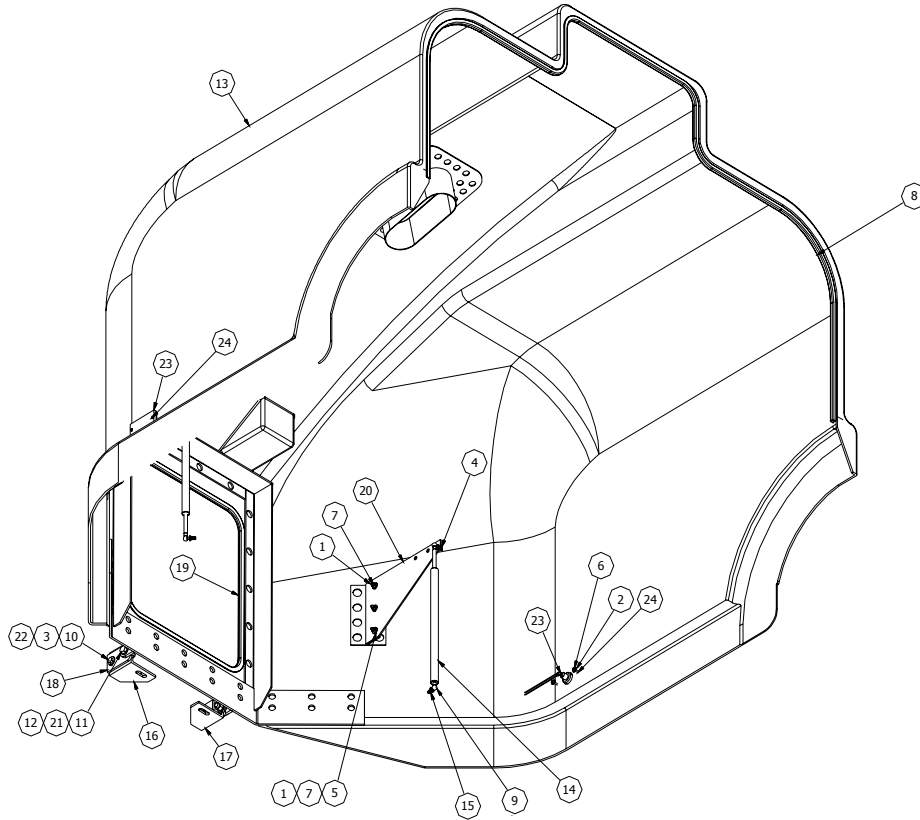
| Item | Part No. | Description | Qty. | Item | Part No. | Description | Qty. |
|------|----------|--|------|------|----------|-----------------------------------|------|
| 137 | 79921710 | Clamp, Tank Fill Pipe | 1 | 171 | 79942300 | Plate, Fiberglass Frame Mount | 5 |
| 138 | 79921800 | Weldment, Front Cross Brace | 1 | 172 | 79942400 | Bumper, Vibration Dampener | 6 |
| 139 | 79921827 | Angle, Lower Bearing | 1 | 173 | 79942540 | Formed Angle Lower St Side | 1 |
| 140 | 79921829 | Arm Assy, Clutch | 1 | 174 | 79942600 | Washer, Flat SAE 1/2" - .074 Thck | 1 |
| 141 | 79922000 | Weldment, Heat Shield | 2 | 175 | 79942700 | Nut, Hex Jam 1/2-20 | 1 |
| 142 | 79922200 | Assy-Hyd Reservoir | 1 | 176 | 79942970 | Curbside Rear Cover T4 | 1 |
| 143 | 79922400 | Weldment, Rear Tank Hold Down | 1 | 177 | 79942980 | Streetside Rear Cover T4 | 1 |
| 144 | 79922500 | Weldment, Curb Side Front | 1 | 178 | 79943000 | Weldment, Bolt Pair | 2 |
| 145 | 79922600 | Weldment, Rear Curb Side Hold Down | 1 | 179 | 79943100 | Washer, 17/32 ID x 2 OD | 1 |
| 146 | 79922710 | Plate, HP Reel Support Base | 1 | 180 | 79944100 | Hose, Garden 5/8 x 100' | 1 |
| 147 | 79922800 | Weldment, HP Reel Cross Support | 1 | 181 | 79945810 | Light, Side Marker Red | 2 |
| 148 | 79923820 | Angle, Street Side T4 | 1 | 182 | 79945830 | Reflector, Red | 2 |
| 149 | 79923830 | Weldment, Upper Bearing Bracket T4 | 1 | 183 | 79945860 | Screw, 8-32x1-1/4 FLT HD ZNC | 4 |
| 150 | 79924900 | Weldment, Rear Cross Member T4 | 1 | 184 | 79946250 | Wire Harness Warrior Lights | 1 |
| 151 | 79925000 | Assy, Power Pack Warrior Tier 4 | 1 | 185 | 79947400 | Spring Hanger - Black | 1 |
| 152 | 79927200 | Tank, 300 Gal Water Warrior | 1 | 186 | 79947640 | Bracket, 7pin recepticle | 1 |
| 153 | 79928450 | Weldment, Tank Guard Street | 1 | 187 | 79948060 | Hose Assy, Hyd Suction Warrior | 1 |
| 154 | 79928550 | Weldment, Tank Guard Curb | 1 | 188 | 79948070 | Hose Assy, Hyd Valve Out (War) | 2 |
| 155 | 79928700 | Weldment, Street Side Front tier 4 | 1 | 189 | 79948090 | Hose Assy, Hyd Pressure (War) | 1 |
| 156 | 79931100 | Weldment, 90 Degree Pivot Frame | 1 | 190 | 79948700 | Recirc Hose Assy Fill Reel | 1 |
| 157 | 79931300 | Weldment, Pivot Pin 90 Degree | 1 | 191 | 79948800 | Recirc Hose Assy Fill Shutoff | 2 |
| 158 | 79931330 | Weldment, Pivot Pin 180 Degrees | 2 | 192 | 79949000 | Recirc Hose Assy Water Tank | 1 |
| 159 | 79931380 | 1-1/4" Poly Street Elbow 45 Deg | 1 | 193 | 79949100 | Recirc Hose Assy Antifreeze | 2 |
| 160 | 79931400 | Bracket, Anti-Freeze Valve | 1 | 194 | 79949300 | Flange Gasket 3/4" Pipe | 2 |
| 161 | 79931700 | Bracket Water Filter | 1 | 195 | 79950000 | Hose, HP Reel Inlet Hose (VIS) | 1 |
| 162 | 79932035 | Chain, HP Reel w/Link | 1 | 196 | 79950200 | Hose, Water Supply Pump-Reel | 1 |
| 163 | 79932038 | Sprocket, Hand Crank | 1 | 197 | 79950410 | Clear View PVC Hose | 1 |
| 164 | 79936000 | Axle, Torqflex 12 w/Elect Brake | 1 | 198 | 79950500 | Elbow, 12 Male 37Deg 3/4 NPT | 1 |
| 165 | 79936100 | Wheel & Tire, ST235-80R16E | 2 | 199 | 79950700 | Block HP Resting w/Step | 1 |
| 166 | 79936405 | Weldment, Str-Side Bolt-On Axle Mount | 1 | 200 | 79950800 | Block, HP Reel Stopper | 1 |
| 167 | 79936505 | Weldment, Curb-Side Bolt-On Axle Mount | 1 | 201 | 79950810 | Bumper, 1-1/2" Dia x 3/4" HG | 1 |
| 168 | 79936800 | Bearing Buddy Grease Cap | 1 | 202 | 79950820 | Screw, 5/16-18X1 Sck Cap | 1 |
| 169 | 79940100 | Assy, Water Supply/Antifreeze | 1 | 203 | 79952100 | Decal, VIN Number | 1 |
| 170 | 79940470 | Assy, Fill Reel Warrior T4 | 1 | 204 | 79952400 | Decal, Wheel & Lug Nuts | 1 |

Warrior Final Assembly - 799200T4

| Item | Part No. | Description | Qty. |
|------|----------|--------------------------------------|------|
| 205 | 79952400 | Decal, Safety Chains | 1 |
| 206 | 79952600 | Decal, Electric Brakes | 1 |
| 207 | 79952700 | Decal, NATM Compliance | 1 |
| 208 | 79953600 | Assy, Control Box War T4 | 1 |
| 209 | 79953800 | Harness Bundle, 2016 Warrior T4 | 1 |
| 210 | 79953820 | Strobe Beacon Assy - 2016 | 1 |
| 211 | 79953830 | Switch Assy, Liquid Level 2016 | 1 |
| 212 | 79953840 | Electric Pulsator Assy - 2016 | 1 |
| 213 | 79953850 | Sender, Fuel Level Assy - 2016 | 1 |
| 214 | 79953860 | Sender, Water Level Assy - 2016 | 1 |
| 215 | 79953890 | Sender, Antifreeze Level Assy - 2016 | 1 |
| 216 | 79953900 | Clamp, T4 Wiring - Reel 2016 | 1 |
| 217 | 79953910 | Plate, Warrior Reel Cable Keep | 1 |
| 218 | 79954620 | Decal, Clutch On-Off | 1 |
| 219 | 79956900 | Angle Fill Reel Shutoff MNT | 2 |
| 220 | 79957000 | Latch Assembly 90 D Lower Index | 1 |
| 221 | 79957800 | Assy, Medium Field Box | 1 |
| 222 | 79958300 | HP Reel Assembly (Warrior) | 1 |
| 223 | 79958400 | Assy, Front Enclosure | 1 |
| 224 | 79958600 | Baseplate Assembly T4 (Warrior) | 1 |
| 225 | 79959000 | Drain Valve Assembly (Warrior) | 1 |

| Item | Part No. | Description | Qty. |
|------|----------|----------------------------------|------|
| 226 | 79960000 | Chain, Safety | 2 |
| 227 | 79960500 | Jack, Stand Large Jet | 1 |
| 228 | 79961000 | Door, Lift Up FBRGLS Assembly | 1 |
| 229 | 79961030 | Plate, Hinge Lift Up FBRGLS | 2 |
| 230 | 79961060 | Ball Socket 10mm-M6 THRD | 4 |
| 231 | 79961070 | Ball Stud 10 mm w/ 5/16-18 THD | 4 |
| 232 | 79961100 | Bracket, Strut Support - Door | 3 |
| 233 | 79961130 | Flange Bearing 3/8" Shaft BRN | 2 |
| 234 | 79961140 | Screw, SHLDR 3/8" Dia x 3/4 LG | 2 |
| 235 | 79961190 | Gas Strut #130 18.75" Extend | 2 |
| 236 | 79961200 | Washer, Neoprene .23ID x .50 OD | 4 |
| 237 | 79962020 | Brace, Oil Pan Preventer | 1 |
| 238 | 79962300 | Clamp, Insulated 7/8 ID | 2 |
| 239 | 79962310 | Clamp, Insulated 1-1/4 ID | 1 |
| 240 | 79962320 | Hose, HP Reel Protective Cover | 2 |
| 241 | 79963100 | Decal, Warrior Tire & Load Print | 1 |
| 242 | 79966200 | Flex Heat Shrink Tubing | 1 |
| 243 | 79966330 | Striker Plate, Rear Door Latch | 1 |
| 244 | 79985850 | Hydrant Fill Assy (2010) | 1 |
| 245 | 82020100 | Screw, 1/4-20 x 1 Button Head | 8 |

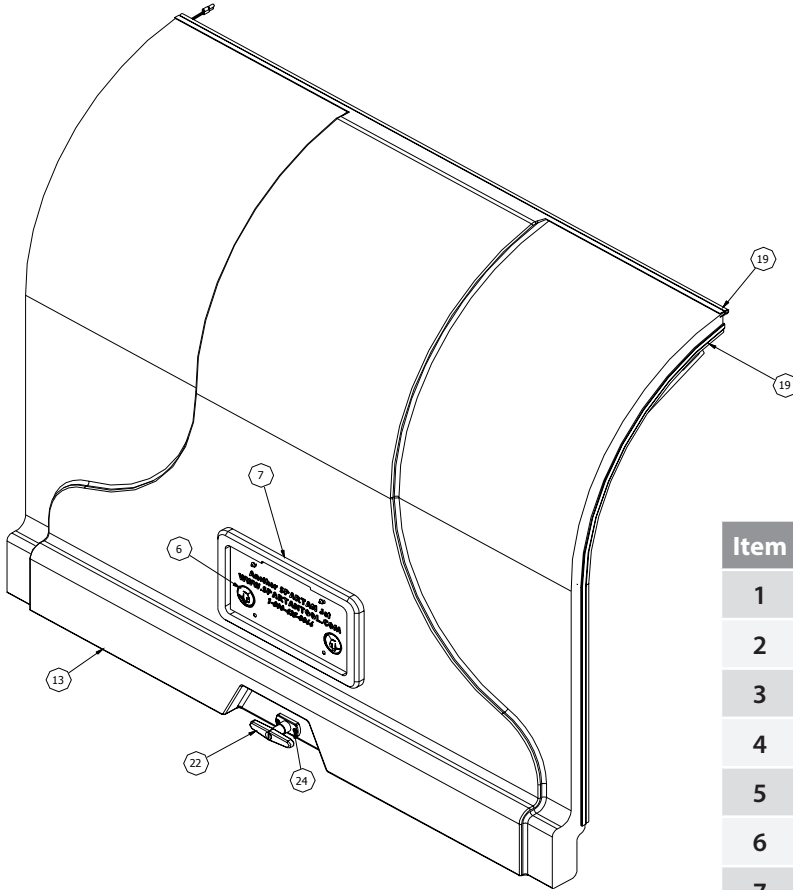
Front Enclosure Assembly - 79958400



| Item | Part No. | Description | Qty. | Item | Part No. | Description | Qty. |
|------|----------|----------------------------------|------|------|----------|-------------------------------|------|
| 1 | 00113901 | Screw, Hx Hd Cap 1/4-20 x 1 ZN | 6 | 13 | 79920600 | Assy, Front Enclosure | 1 |
| 2 | 00162400 | Washer, Flat 3/16 | 4 | 14 | 79920623 | Gas Spring, M8 Thrd 125# | 2 |
| 3 | 00162700 | Washer, Flat 3/8 | 4 | 15 | 79920628 | Ball Stud, Gas Strut | 4 |
| 4 | 02820700 | Nut, Heavy Hex Jam 5/16-18 | 2 | 16 | 79920658 | Hinge Base Front Street | 1 |
| 5 | 02825100 | Washer, Flat 1/4 USS | 12 | 17 | 79920659 | Hinge Base Front Curb | 1 |
| 6 | 03312001 | Nut, Hex Kep 8-32 Zinc Plated | 4 | 18 | 79920669 | Hinge Vertical Tab | 2 |
| 7 | 73821200 | Nut, Nylon Locking 1/4-20 | 6 | 19 | 79920750 | Edge Trim, Black Rubber 1/4" | 7FT |
| 8 | 75841010 | Vinyl Edge Trim Black | 10FT | 20 | 79941620 | Plate, Upper Gas Strut Angled | 2 |
| 9 | 75853710 | 10mm Gas Strut Socket | 4 | 21 | 79942600 | Washer, Flat SAE 1/2" - .074 | 6 |
| 10 | 77760000 | Screw Hex Hd Cap 3/8-16 x 1-1/2 | 2 | 22 | 79943300 | Nut, Hex Jam 3/8-16 ZNC Plt | 2 |
| 11 | 79858000 | Screw, Hex Hd Cap 1/2-13 x 1-1/2 | 2 | 23 | 79945850 | Light, Side Marker Amber | 2 |
| 12 | 79920141 | Nut, 1/2-13 Hx GR8 Center Lock | 2 | 24 | 79945860 | Screw, 8-32x1-1/4 Flt Hd ZNC | 4 |

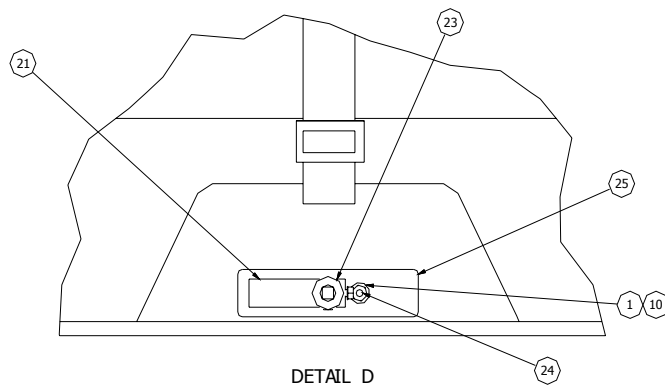
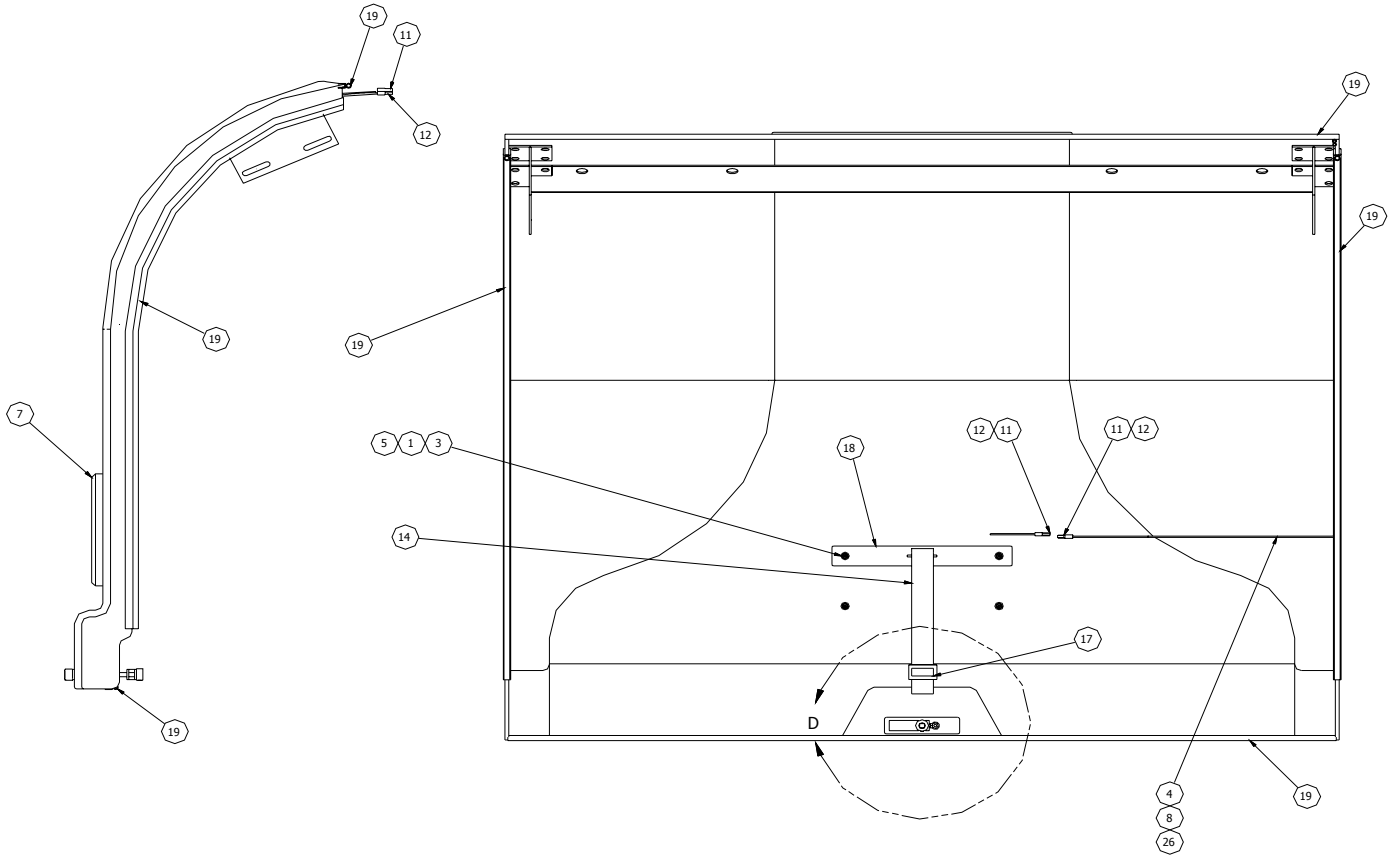


Lift Up Door Assembly - 79961000



| Item | Part No. | Description | Qty. |
|------|----------|----------------------------------|---------|
| 1 | 00162400 | Washer, Flat 3/16 | 6 |
| 2 | 00165300 | Split Lockwasher #10 Zinc Pltd | 6 |
| 3 | 03850100 | Nut, Hex Kep 10-32 Zinc Plated | 4 |
| 4 | 44222400 | Wire, Hook-Up 16 AWG - Black | 10 ft |
| 5 | 44294600 | Screw, Machine 10-32X 1-1/4 | 4 |
| 6 | 44298500 | Jetter License Plate Insert | 1 |
| 7 | 77722100 | Frame, Lighted License | 1 |
| 8 | 77733100 | Wire, 16 AWG - Red Stranded Cu | 10 ft |
| 10 | 77742400 | Nylock Lock Nut 10-24 | 2 |
| 11 | 77751600 | Disconnect, Female Bullet | 3 |
| 12 | 77751700 | Disconnect, Male Bullet | 3 |
| 13 | 79961010 | Fiberglass Door, Lift Up (BRKTS) | 1 |
| 14 | 79961080 | Nylon Webbing, 1-1/2" Wide | 1 |
| 17 | 79961120 | Webbing Feed Thru Plate, 1-1/2 | 1 |
| 18 | 79961300 | Weldment, Pull Down Strap | 1 |
| 19 | 79961150 | Edge Trim, RBBR Seal-Top 3/8 | 17.6 ft |
| 21 | 77735301 | Adjustable Latch 2-1/2" | 1 |
| 22 | 79961110 | T-Handle, Key Latch-CCW CHRM | 1 |
| 23 | 79966340 | Shaft Collar, 7/16" Bore | 1 |
| 24 | 79961180 | Screw, FLT HD 10-24 x 1-1/4" | 2 |
| 25 | 79970100 | Weldment, Door Latch Support | 1 |
| 26 | 73826800 | Wire-Loom, Black Plastic 3/8" | 8 ft |

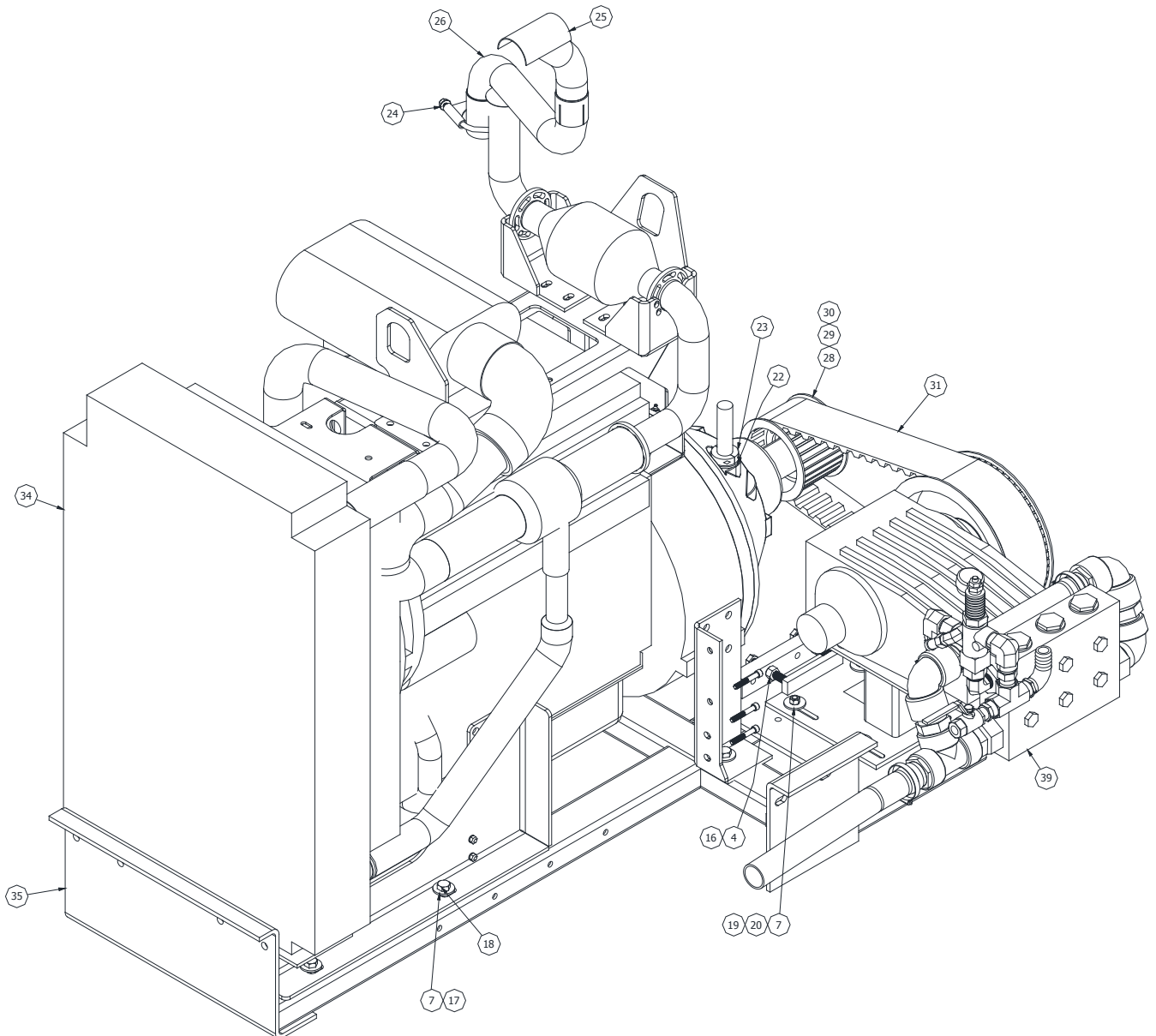
Lift Up Door Assembly - 79961000



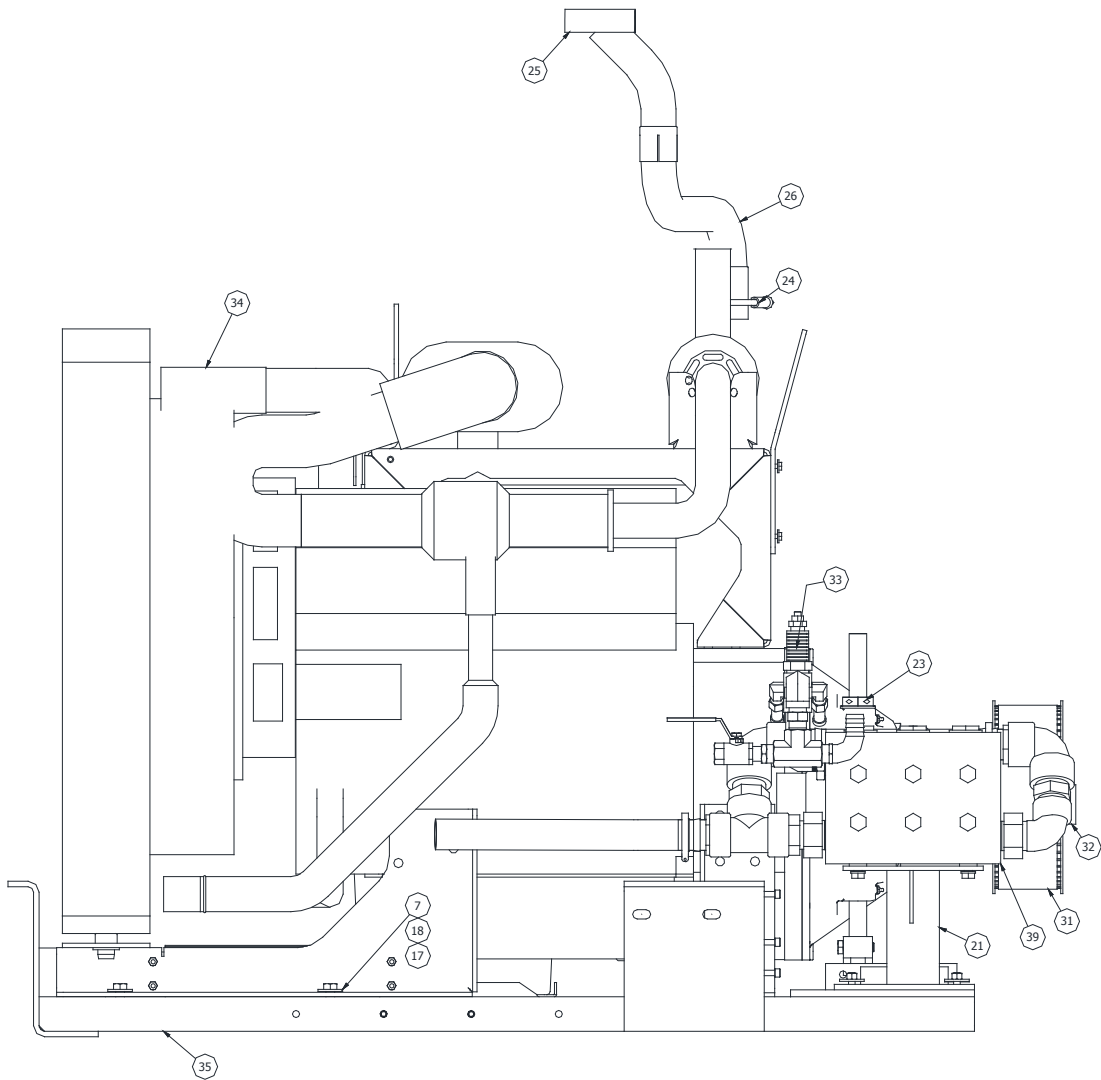
DETAIL D
SCALE 1 / 2



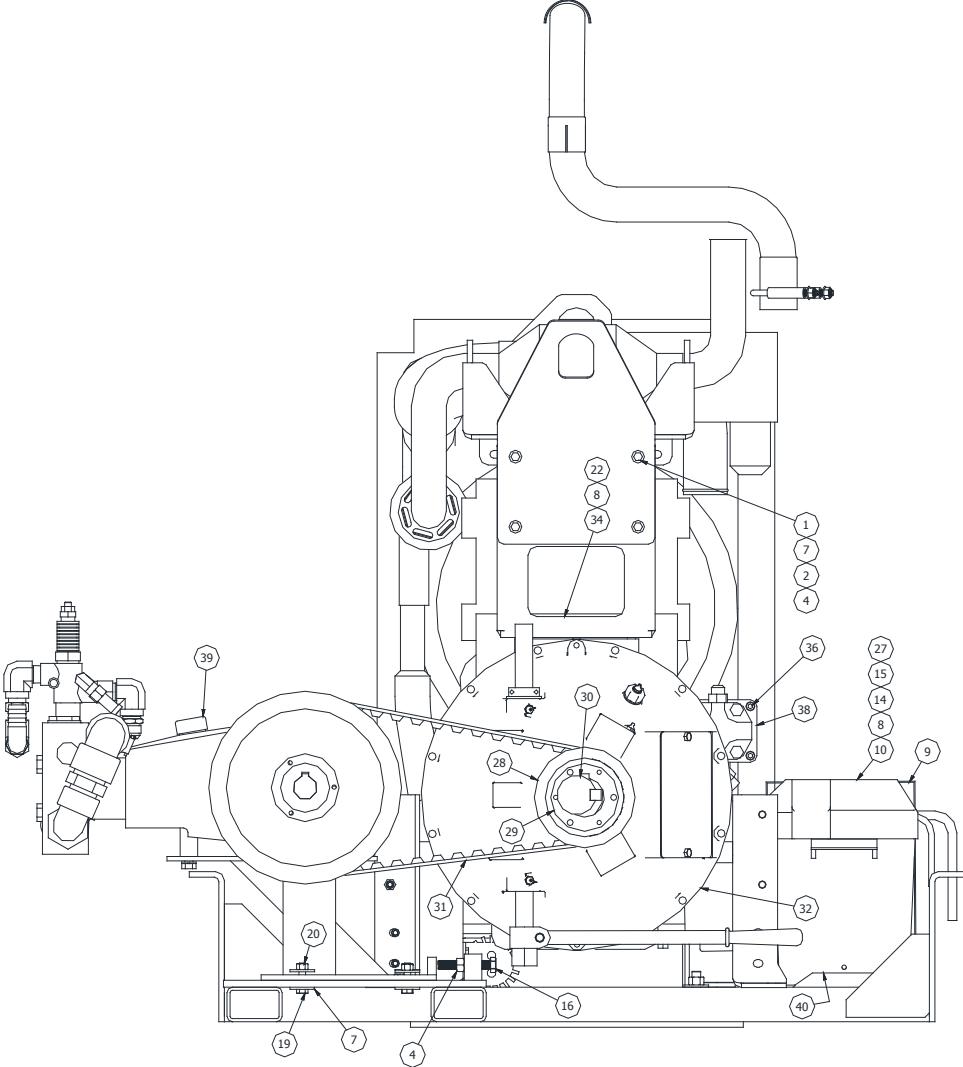
Power Pack Assembly - 79925000



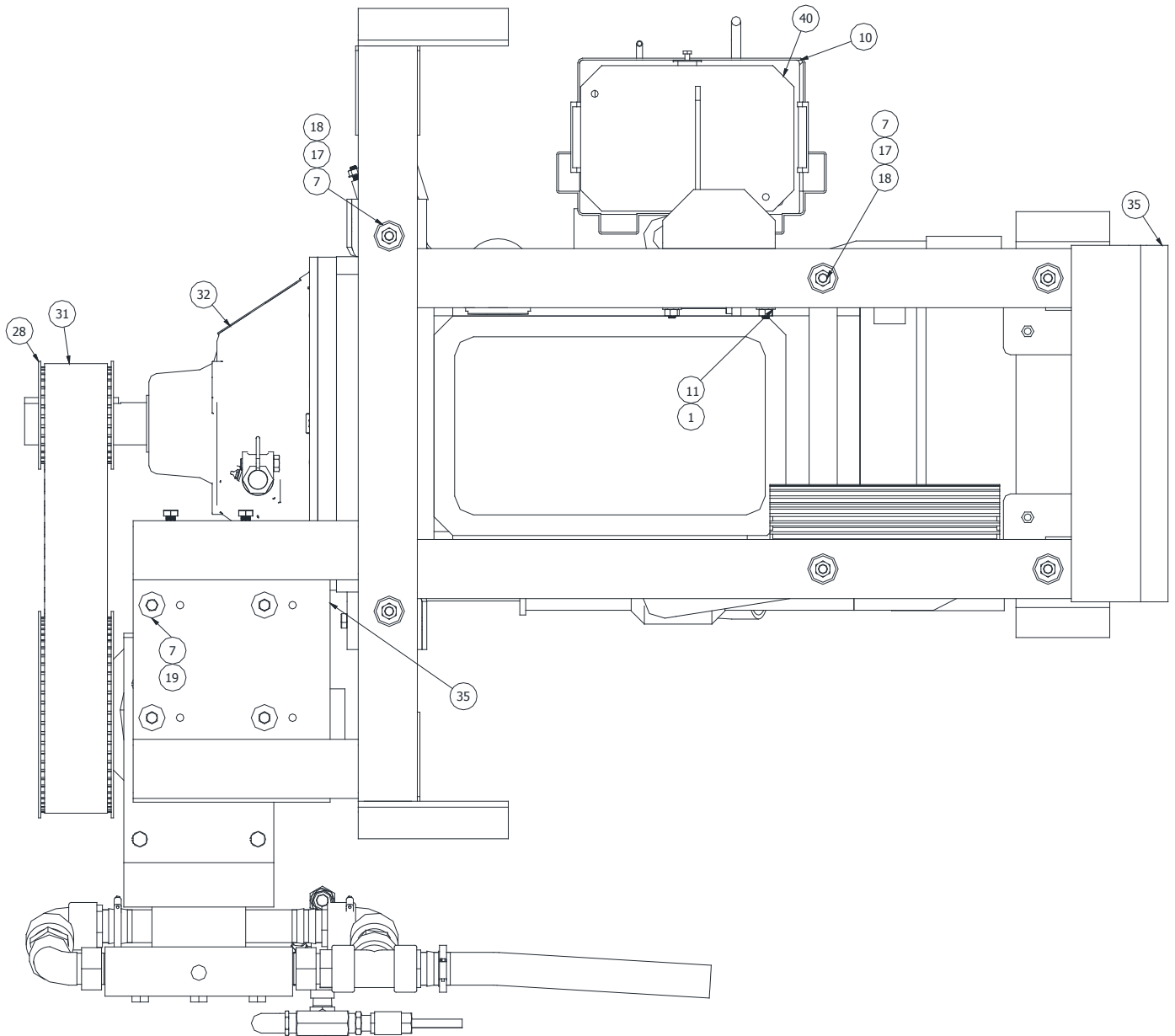
Power Pack Assembly - 79925000



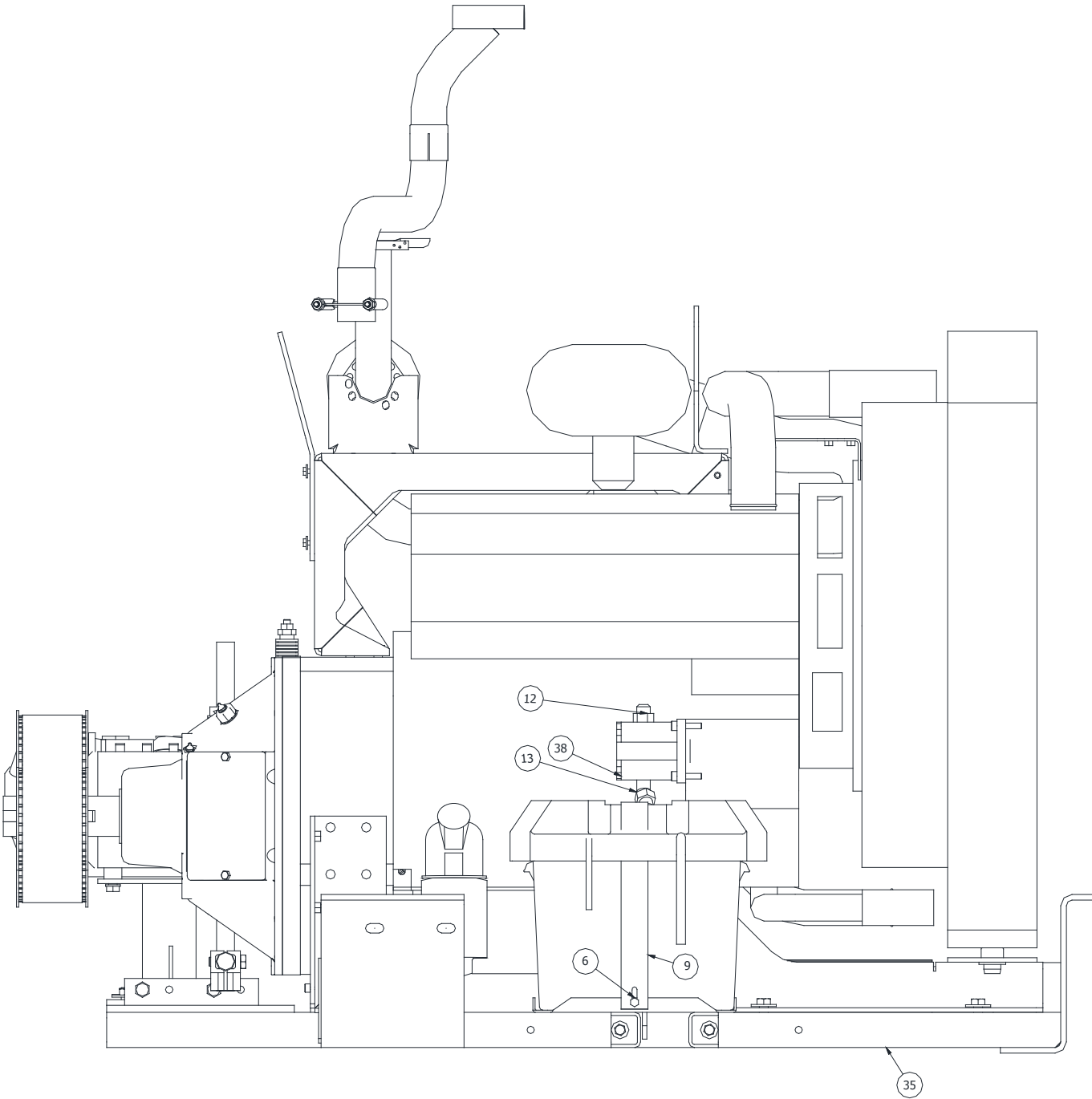
Power Pack Assembly - 79925000



Power Pack Assembly - 79925000



Power Pack Assembly - 79925000

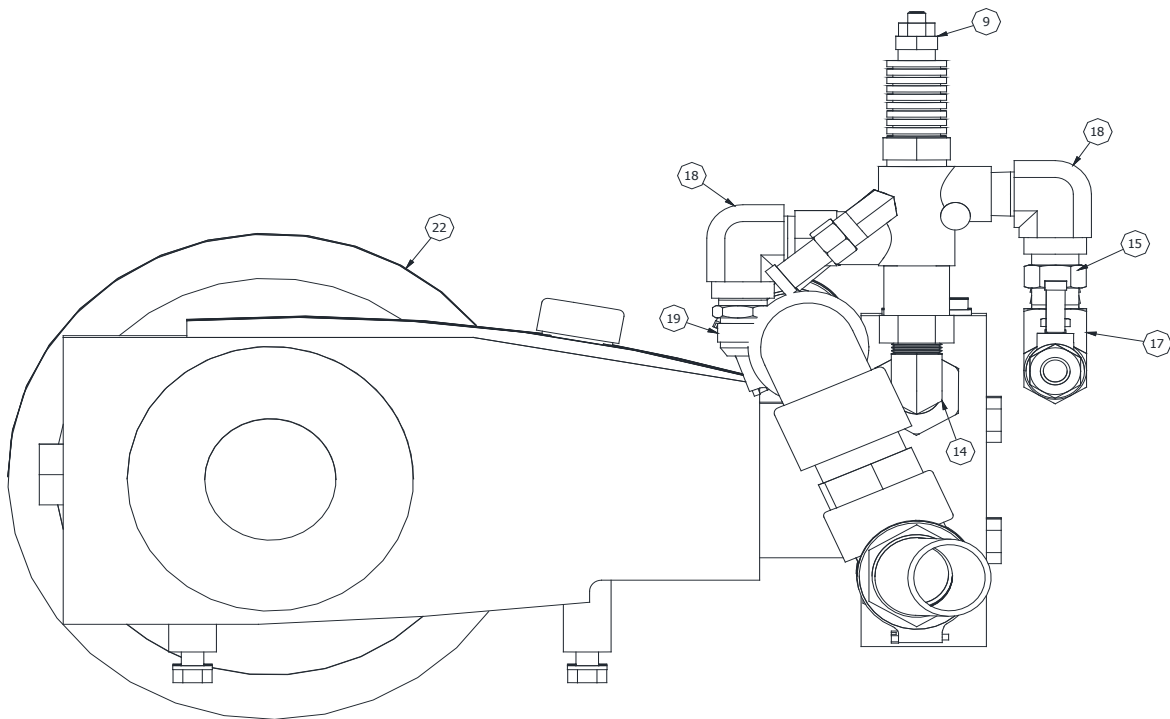
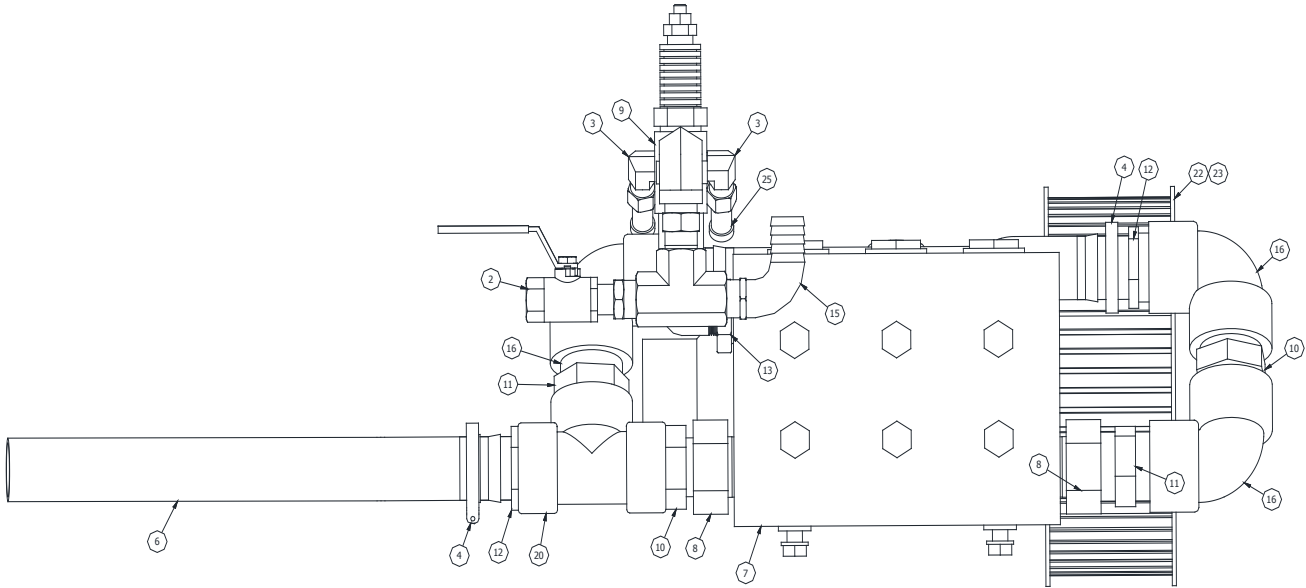


Power Pack Assembly - 79925000

| Item | Part No. | Description | Qty. |
|------|----------|------------------------------------|------|
| 1 | 00117500 | Screw, Hex Hd 3/8-16 x 4 | 2 |
| 2 | 00137300 | Nut, Hex 1/4-20 | 4 |
| 3 | 00162700 | Washer, Flat 3/8 | 4 |
| 4 | 00778000 | Nut, Hex 1/2-13 | 2 |
| 5 | 02821200 | Nut, Nylock Jam 1/4-20 | 4 |
| 6 | 04728200 | Screw, Hex Hd 1/4-20 x 3/8 | 2 |
| 7 | 73826900 | Washer, Flat 1/2 USS High Strength | 22 |
| 8 | 73830900 | Cable, Negative Battery 60" LG | 1 |
| 9 | 75814700 | Strap, Battery Hold Down | 1 |
| 10 | 75815300 | Box, Battery (Modified) | 1 |
| 11 | 77748000 | Nut, Stover Lock 2/8-16 UNC | 2 |
| 12 | 79846500 | Adapter-10 O-Ring/-8JIC | 1 |
| 13 | 79846600 | Adapter-12 O-Ring/JIC45 Deg | 1 |
| 14 | 79847800 | Battery, Diesel 875 CCA | 1 |
| 15 | 79847900 | Cable, Positive Battery 798 | 1 |
| 16 | 79908500 | Screw, Hex HD 1/2-13 x 3 | 2 |
| 17 | 79920141 | Nut, Hx GR8 1/2-13 Stover | 7 |
| 18 | 79920145 | Hex Hd Bolt 1/2-13 x 1-1/2 GR8 | 7 |
| 19 | 79920150 | Hex Hd Bolt 3/8-16 x 1-1/2 GR8 | 4 |
| 20 | 79920151 | Hex Nut, 3/8-16 Grade 8 | 4 |
| 21 | 79920232 | Weldment, Pump Pedestal T4 | 1 |

| Item | Part No. | Description | Qty. |
|------|----------|---|------|
| 22 | 79920261 | Bearing, 1"IDx2"ODx1/8 DELRIN | 1 |
| 23 | 79920262 | Collar, 1" Shaft 2 Piece | 1 |
| 24 | 79920330 | Clamp, Exhaust 2-1/2 | 1 |
| 25 | 79920384 | Weldment, 2" Exhaust 45 Degree | 1 |
| 26 | 79920388 | Elbow, Exhaust T4 | 1 |
| 27 | 79922290 | Protector Set, Bat Terminals | 1 |
| 28 | 79922330 | Sprocket, Drive 30 Tooth 14mm x 85mm | 1 |
| 29 | 79922350 | Bushing, QD-SK 2-1/4 Bore | 1 |
| 30 | 79922355 | Key, Step 1/2 x 5/8 SQ | 1 |
| 31 | 79922370 | Belt, Drive 1400 PTH 14M42 | 1 |
| 32 | 79925200 | Clutch, Warrior (Furnished w/79925300) | 1 |
| 33 | 79925210 | Spacer WPT to Kohler (Furnished w/79925300) | 1 |
| 34 | 79925300 | Engine, Diesel Tier 4 | 1 |
| 35 | 79925400 | Weldment, Tier 4 Power Pack | 1 |
| 36 | 79925470 | Screw, SOC HD Cap M8-1.25 x 35 | 4 |
| 37 | 79925480 | Screw, SOC HD Cap 5/16-18 x 2 | 3 |
| 38 | 79926400 | Pump, Hyd Gear-Tier 4 Engine | 1 |
| 39 | 79940200 | Pump Assembly 798 | 1 |
| 40 | 79969100 | Weldment, Battery Tray T4 | 1 |

Assy, Pump Warrior - 79940200





Pump Parts List - 79802500

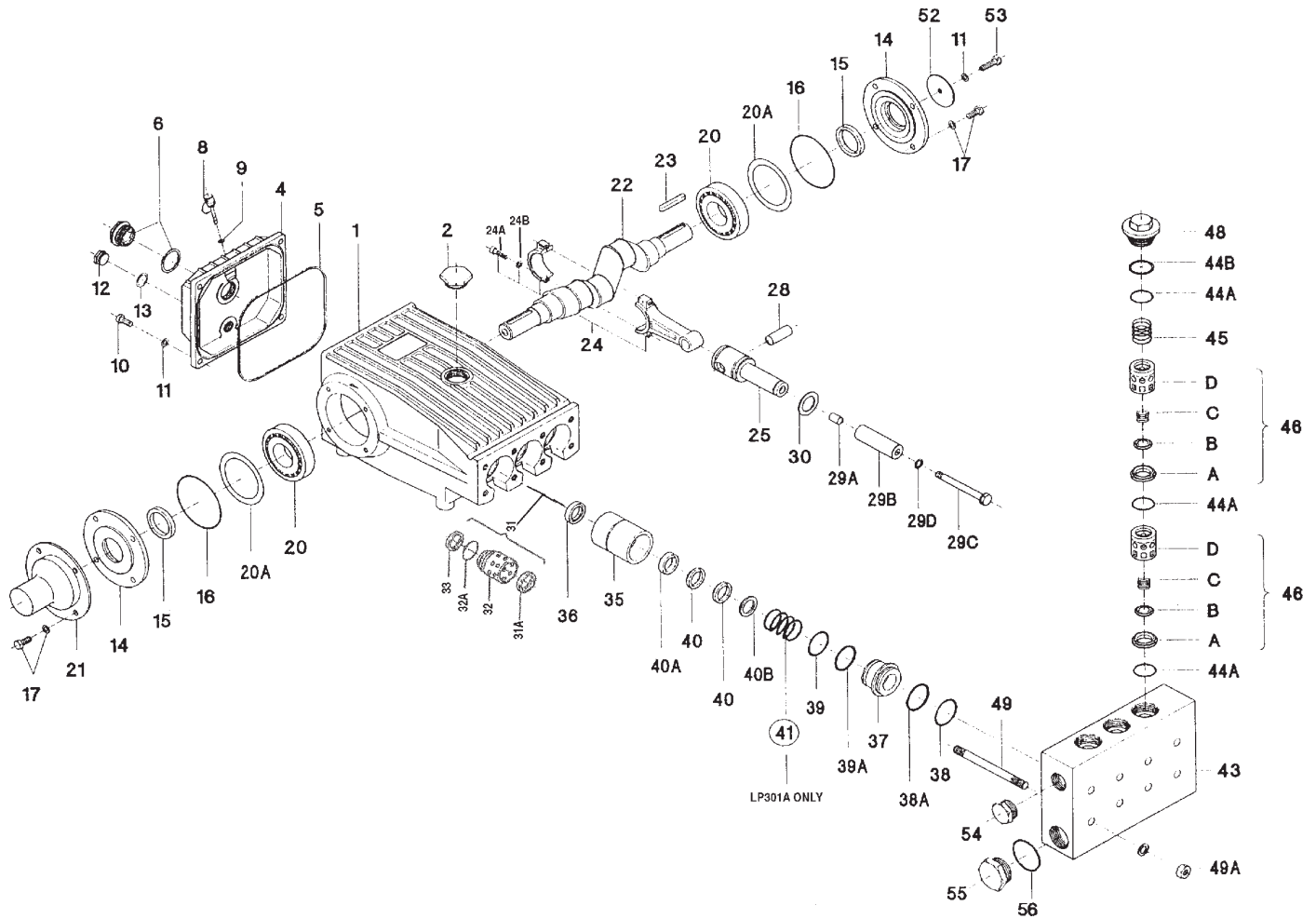
| Item | Part No. | Description | Qty. |
|------|----------|--------------------------|------|
| 1 | 79832000 | Crankcase | 1 |
| 2 | 79832100 | Oil Filler Plug Assy | 1 |
| 4 | 79832200 | Crankcase Cover | 1 |
| 5 | 79832300 | O-Ring, Crankcase Cover | 1 |
| 6 | 79832400 | Oil Sight Glass w/Gasket | 1 |
| 7 | 79832500 | Gasket (For Sight Glass) | 1 |
| 8 | 79832600 | Oil Dipstick Assy | 1 |
| 9 | 79832700 | O-Ring, (For Dipstick) | 1 |
| 10 | 79832800 | Cylinder Screw | 4 |
| 11 | 79832900 | Spring Ring | 5 |
| 12 | 79833000 | Plug | 1 |
| 13 | 79833100 | Gasket | 1 |
| 14 | 79833200 | Bearing Cover | 2 |
| 15 | 79833300 | Radial Shaft Seal | 2 |
| 16 | 79833400 | O-Ring | 2 |
| 17 | 79833500 | Hexagon Screw | 8 |
| 20 | 79833600 | Taper Roller Bearing | 2 |
| 20A | 79833700 | Fitting Disc 798 Pump | 1 |
| 20B | 79833800 | Fitting Disc | 1 |
| 21 | 79833900 | Shaft Protector | 1 |
| 22 | 79834000 | Crankshaft | 1 |
| 23 | 79834100 | Woodruff Key | 1 |
| 24 | 79834200 | Connecting Rod Assy | 3 |
| 24A | 79834300 | Inner Hex Screw | 6 |
| 24B | 79834400 | Spring Washer | 6 |
| 25 | 79834500 | Crosshead Assy | 3 |
| 28 | 79834600 | Crosshead Pin | 3 |
| 29A | 79834700 | Centering Sleeve | 3 |
| 29B | 79834800 | Plunger Pipe | 3 |
| 29C | 79834900 | Tensioning Screw | 3 |
| 29D | 79835000 | Copper Ring | 3 |
| 30 | 79835100 | O-Ring | 3 |
| 31 | 79835200 | Retainer, Complete | 3 |

| Item | Part No. | Description | Qty. |
|------|----------|------------------------|------|
| 31A | 79835300 | Oil Seal | 3 |
| 32 | 79835400 | Retainer, Oil Seal | 3 |
| 32A | 79835500 | O-Ring | 3 |
| 33 | 79835600 | Seal | 3 |
| 35 | 79835700 | Seal Sleeve | 3 |
| 36 | 79835800 | Leakage Seal * | 3 |
| 37 | 79835900 | Seal Case | 3 |
| 38 | 79836000 | O-Ring, Seal Case * | 3 |
| 38A | 79836100 | Support Ring * | 3 |
| 39 | 79836200 | O-Ring * | 3 |
| 39A | 79836300 | Support Ring * | 3 |
| 40 | 79836400 | V-Sleeve * | 6 |
| 40A | 79836500 | Support Ring * | 3 |
| 40B | 79836600 | Guide Ring | 3 |
| 41 | 79836700 | Pressure Spring | 3 |
| 43 | 79836800 | Valve Casing | 1 |
| 44A | 79836900 | O-Ring ** | 9 |
| 44B | 79837000 | Support Ring * | 3 |
| 45 | 79837100 | Tension Spring | 6 |
| 46 | 79837200 | Valve Assy, Complete | 6 |
| 46A | 79837300 | Valve Seat ** | 6 |
| 46B | 79837400 | Valve Plate ** | 6 |
| 46C | 79837500 | Valve Spring ** | 6 |
| 46D | 79837600 | Spacer, Pipe | 6 |
| 48 | 79837700 | Plug, Valve | 3 |
| 49 | 79837800 | Stud Bolt | 8 |
| 49A | 79837900 | Nut, Hexagon | 8 |
| 52 | 79838100 | Disc for Crankshaft | 1 |
| 53 | 79838200 | Hexagon Screw | 1 |
| 54 | 79838300 | Plug, G 1 | 2 |
| 55 | 79838400 | Plug, G 1-1/4 | 2 |
| 56 | 79853800 | Washer, Crush w/O-Ring | 1 |

* Included with Plunger Packing Kit 79838500

**Included in Valve Kit 79838600

Pump - Exploded View - 79802500



PLUNGER PACKING KIT 79838500

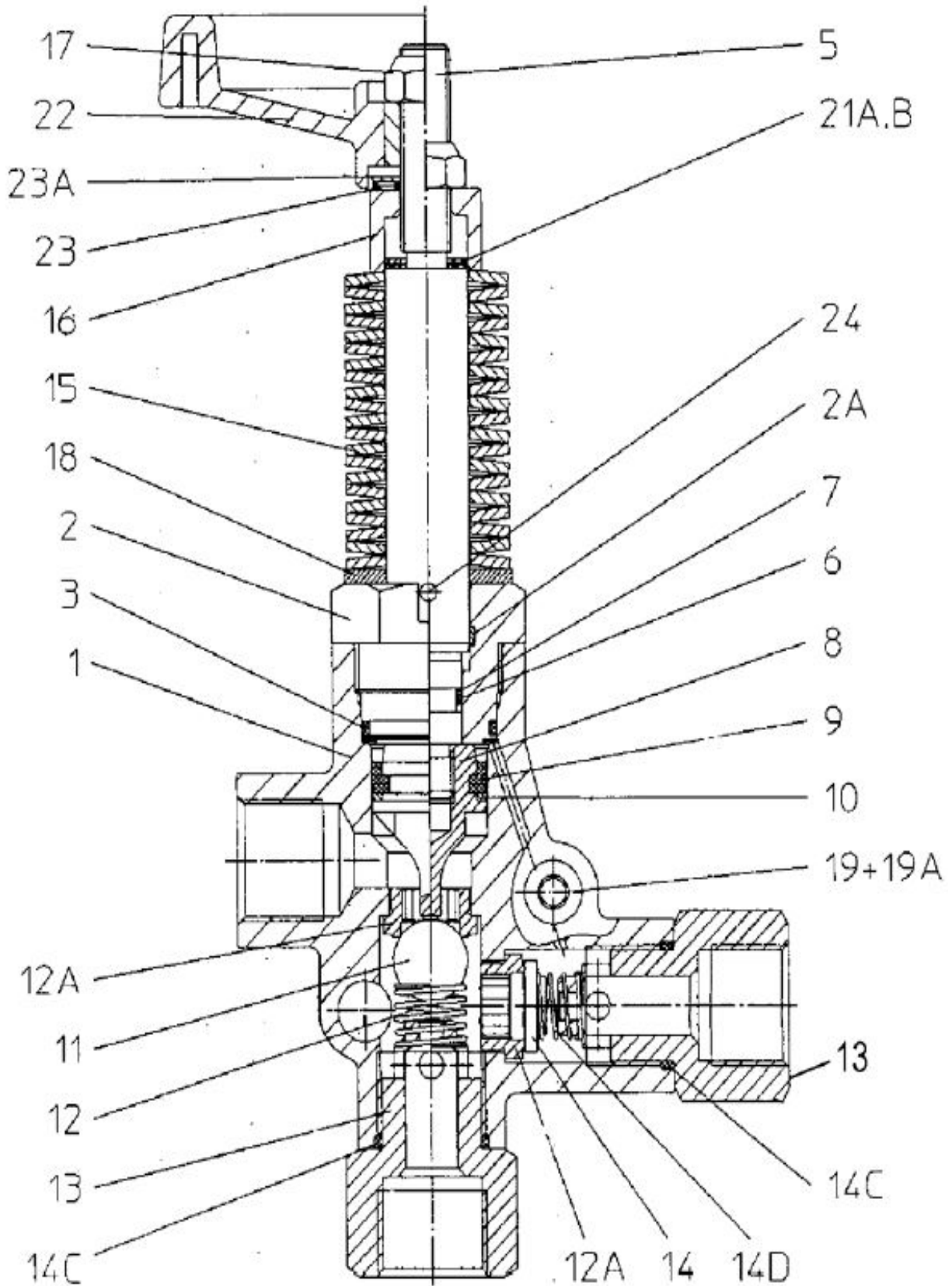
| Item | Part No. | Description | Qty. |
|------|----------|--------------------|------|
| 36 | 79835800 | Leakage Seal | 3 |
| 38 | 79836000 | O-Ring, Seal Case | 3 |
| 38A | 79836100 | Support Ring | 3 |
| 39 | 79836200 | O-Ring | 3 |
| 39A | 79836300 | Support Ring | 3 |
| 40 | 79836400 | V-Sleeve (Packing) | 6 |
| 40A | 79836500 | Support Ring | 3 |

VALVE KIT 79838600

| Item | Part No. | Description | Qty. |
|------|----------|--------------|------|
| 46A | 79837300 | Valve Seat | 6 |
| 46B | 79837400 | Valve Plate | 6 |
| 46C | 79837500 | Valve Spring | 6 |
| 44A | 79836900 | O-Ring | 9 |
| 44B | 79837000 | Support Ring | 3 |



Unloader Giant 22973C - 79803700



Unloader Giant 22973C - 79803700

| Item | Part No. | Description | Qty. |
|------|----------|---------------------------------------|------|
| 1 | 79803701 | Valve Body (Giant 12232) | 1 |
| 2 | 79803702 | Guide Plug (Giant 12240) | 1 |
| 2A | 79803704 | Guide Ring (Giant 12241) | 1 |
| 3 | 79803703 | O-Ring (Giant 12057) | 1 |
| 5 | 79803705 | Piston Ring (Giant 12242) | 1 |
| 6 | 79803706 | O-Ring, Valve Stem (Giant 12204) | 1 |
| 7 | 79803707 | Backup Ring, Valve Stem (Giant 12205) | 1 |
| 8 | 79803710 | Piston, Giant #12206 | 1 |
| 9 | 79803720 | Cup, 28 MM - Giant 05005 | 1 |
| 10 | 79803730 | Back Up O-Ring, Giant 05015 | 1 |
| 11 | 79803708 | Ball (Giant 12207) | 1 |
| 12 | 79803709 | Valve Spring (Giant 12216) | 1 |
| 12A | 79803711 | Seat, Inlet (Giant 12208) | 2 |
| 13 | 79803712 | Valve Plug (Giant 12243) | 2 |
| 14 | 79803713 | Valve Plate (Giant 12244) | 1 |
| 14C | 79803716 | O-Ring (Giant 07035) | 2 |
| 14D | 79803717 | Spring, Outlet Valve | 1 |
| 15 | 79803715 | Spring, Orange (Giant 12220) | 19 |
| 16 | 79803714 | Spacer Sleeve (Giant 12245) | 1 |
| 17 | 79803718 | Self-Locking Hex Nut (Giant 12246) | 1 |
| 18 | 79803719 | Washer, Spring (Giant 12223) | 1 |
| 19 | 79803721 | Plug (Giant 12098) | 4 |
| 19A | 79803722 | O-Ring, Plug (Giant 12017) | 4 |
| 21A | 79803723 | Spacer Disc, .5MM (Giant 06821) | 1 |
| 21B | 79803724 | Spacer Disc, 1.0 MM (Giant 06822) | 3 |
| 24 | 79803725 | Serrated Pin (Giant 12247) | 1 |

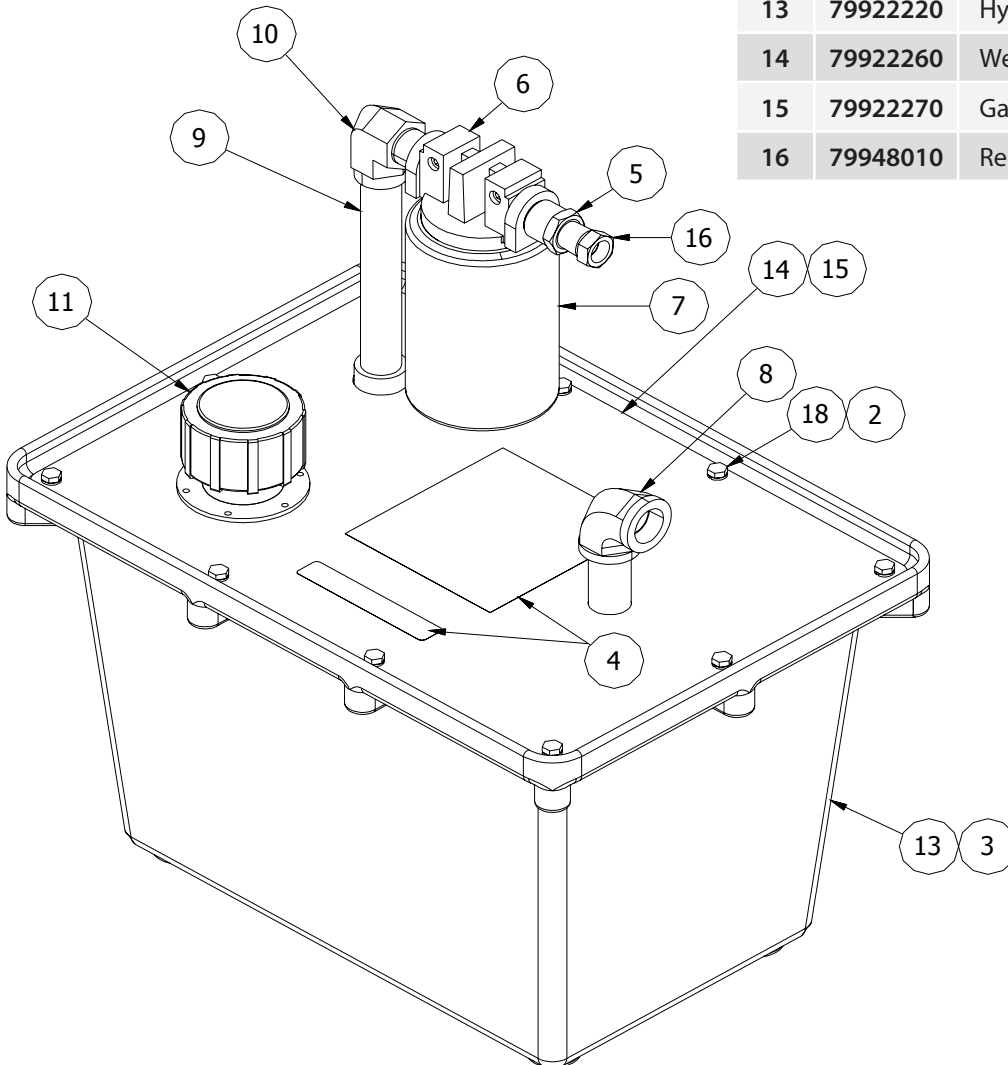
UNLOADER REPAIR KIT 79803726

| Item | Part No. | Description | Qty. |
|------|----------|---------------------------------------|------|
| 2A | 79803704 | Guide Ring (Giant 12241) | 1 |
| 3 | 79803703 | O-Ring (Giant 12057) | 1 |
| 6 | 79803706 | O-Ring, Valve Stem (Giant 12204) | 1 |
| 7 | 79803707 | Backup Ring, Valve Stem (Giant 12205) | 1 |
| 9 | 79803720 | Cup, 28 MM - Giant 05005 | 1 |
| 10 | 79803730 | Back Up O-Ring, Giant 05015 | 1 |
| 11 | 79803708 | Ball (Giant 12207) | 1 |
| 12 | 79803709 | Valve Spring (Giant 12216) | 1 |
| 14 | 79803713 | Valve Plate (Giant 12244) | 1 |
| 14C | 79803716 | O-Ring (Giant 07035) | 2 |
| 14D | 79803717 | Spring, Outlet Valve | 1 |
| 19A | 79803722 | O-Ring, Plug (Giant 12017) | 4 |



Hydraulic Tank Assembly - 79922200

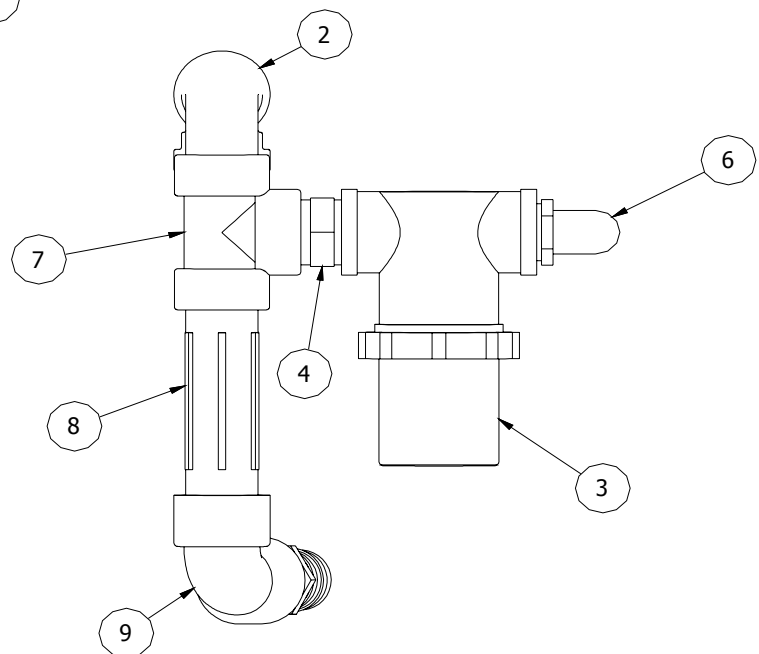
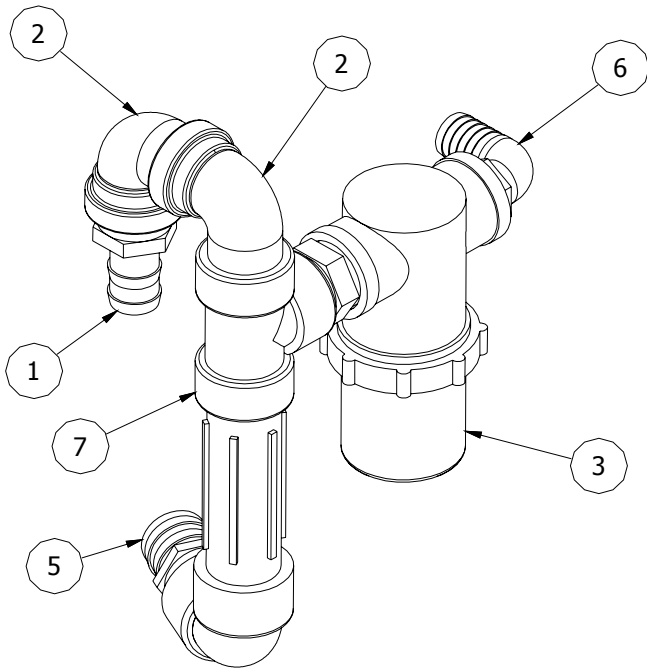
| Item | Part No. | Description | Qty. |
|------|----------|--------------------------------|------|
| 1 | 00113700 | Screw, Hex Hd 1/4-20 x 3/4 | 10 |
| 2 | 00165400 | Washer, Lock Split 1/4 | 10 |
| 3 | 71101200 | Plug, Internal Hex 1/2 NPT | 2 |
| 4 | 72763000 | Decal, Master Sheet | 1 |
| 5 | 77742600 | Bushing, Reducer 3/4 x 1/2 | 1 |
| 6 | 79807000 | Filter Head | 1 |
| 7 | 79807100 | Filter, Element | 1 |
| 8 | 79821600 | Elbow, 90 Deg Female 2/4 Black | 1 |
| 9 | 79826000 | 3/4 x 6" Nipple BLK Pipe Steel | 1 |
| 10 | 79827000 | Elbow, 90 Deg Street 3/4 Black | 1 |
| 11 | 79842700 | Cap, Hydraulic Tank | 1 |
| 13 | 79922220 | Hyd Reservoir, Machined | 1 |
| 14 | 79922260 | Weldment, Cover Hyd Reservoir | 1 |
| 15 | 79922270 | Gasket, Hyd Reservoir | 1 |
| 16 | 79948010 | Reducer, Pipe 1/2 x 3/8 NPT | 1 |



Water/Antifreeze Supply Assembly - 79940100



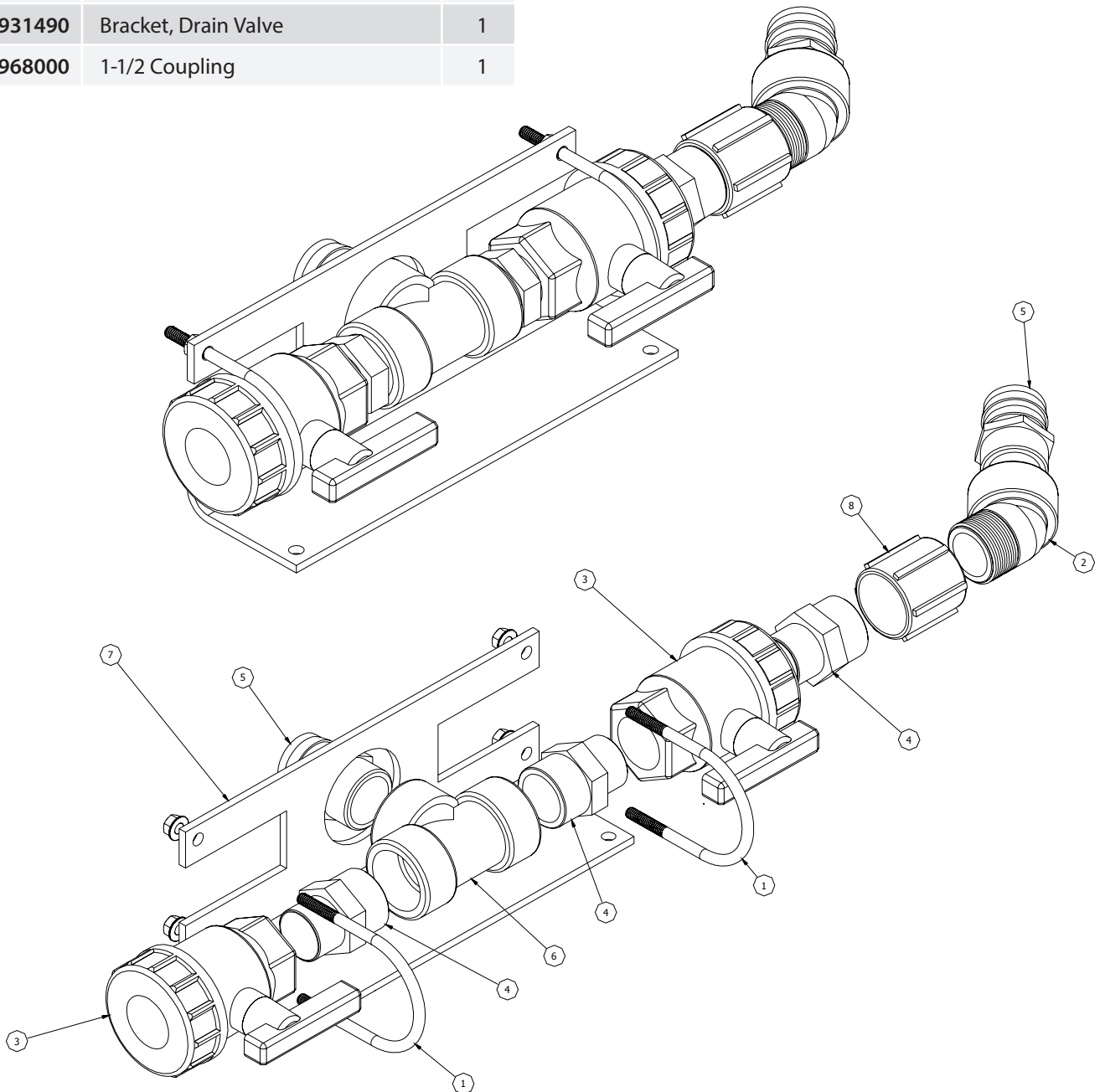
| Item | Part No. | Description | Qty. |
|------|----------|--------------------------------------|------|
| 1 | 75824700 | Hose Barb, 1-1/2 MPT x 1-1/4 | 1 |
| 2 | 79811400 | Elbow, 90 Deg St 1-1/2 MPT x 1-1/2 F | 2 |
| 3 | 79811700 | Filter, 1-1/2 FPT Polypropyle | 1 |
| 4 | 79811800 | Nipple, 1-1/2 x 1-1/2 M P T Poly P | 1 |
| 5 | 79812100 | Barb, Hose 1-1/2 MPT x 1-1/2 PO | 1 |
| 6 | 79821200 | El 1-1/2M PT x 1-1/2 Hose Barb | 1 |
| 7 | 79871900 | Tee, 1-1/2 FNPT Poly Pro | 1 |
| 8 | 75853650 | Nipple, 1-1/2" x 6" PP (Black) | 1 |
| 9 | 79812600 | El, 90 Deg. 1-1/2 x 1-1/2 Poly P | 1 |





Drain Valve Assembly - 79959000

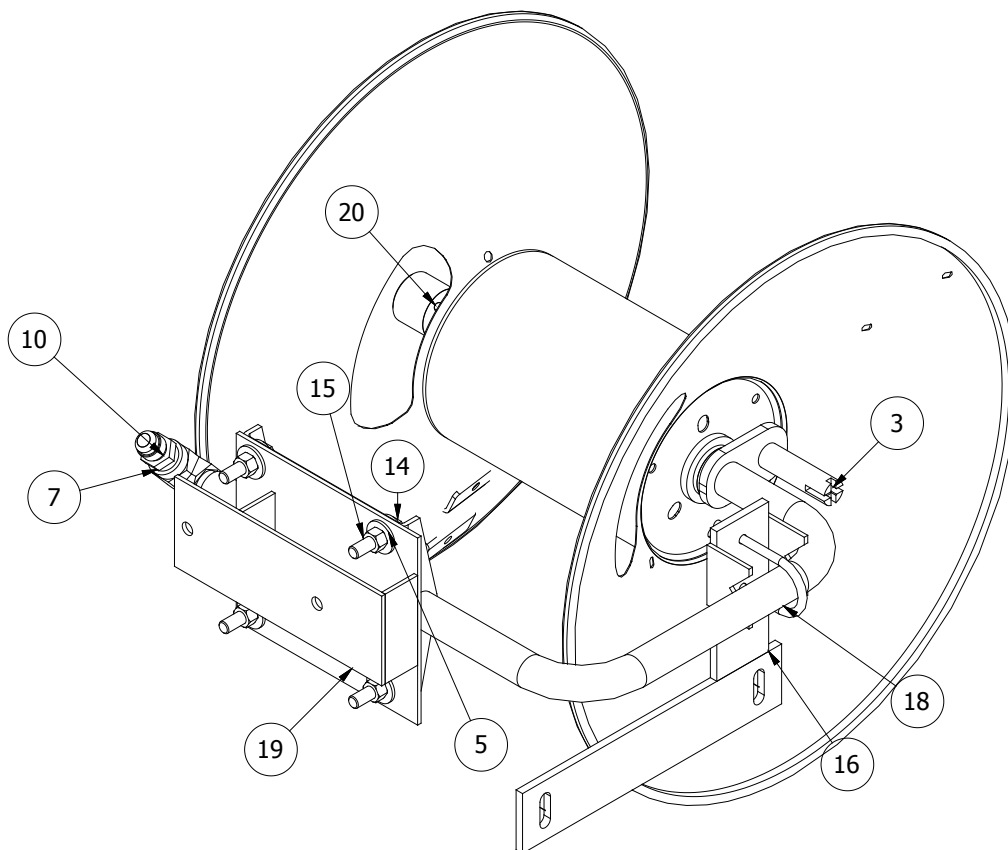
| Item | Part No. | Description | Qty. |
|------|----------|---------------------------------|------|
| 1 | 73831000 | U-Bolt, 3" Tube OD w/Nuts | 2 |
| 2 | 75853620 | 1-1/2" Poly Street Elbow 45 Deg | 1 |
| 3 | 79811500 | Valve, Ball 1-1/4FNPT x 1-1/4F | 2 |
| 4 | 79811600 | Nipple, 1-1/2 x 1-1/4 MPT Polyp | 3 |
| 5 | 79812100 | Barb, Hose 1-1/2 MPT x 1-1/2 PO | 2 |
| 6 | 79871900 | Tee, 1-1/2 FNPT Polypro | 1 |
| 7 | 79931490 | Bracket, Drain Valve | 1 |
| 8 | 79968000 | 1-1/2 Coupling | 1 |



Fill Reel Assembly - 79940470

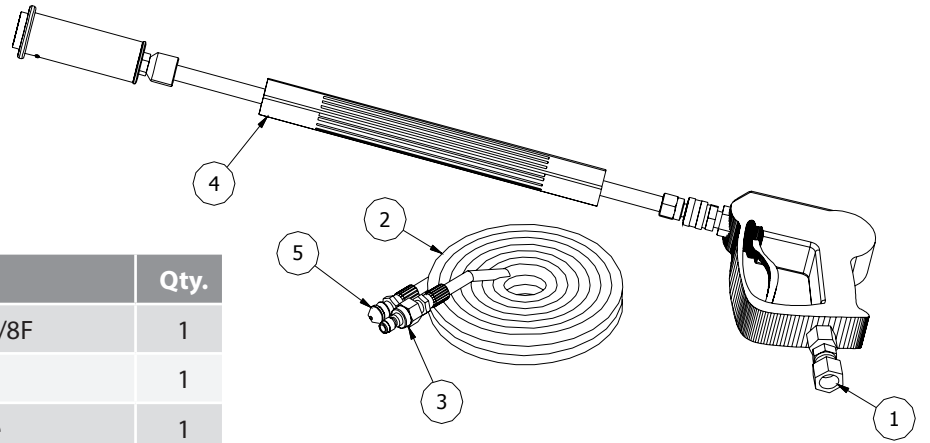


| Item | Part No. | Description | Qty. |
|------|----------|-----------------------------------|------|
| 3 | 72727500 | Reel, HP Hose | 1 |
| 5 | 75852700 | Washer, 3/8" ID USS Grd 9 | 8 |
| 6 | 75867030 | Adapter, 3/4 GHT Swivel - 1/2 NPT | 1 |
| 7 | 77705101 | Elbow, 90 Deg. Street 1/2" | 2 |
| 10 | 79904476 | Adapter, 1/2NPT-8JIC 45D Brass | 1 |
| 14 | 79920150 | Hex Hd Bolt 3/8-16 x 1-1/2 GR8 | 4 |
| 15 | 79920151 | Hex Nut, 3/8-16 Grade 8 | 4 |
| 16 | 79935900 | Weldment, Legacy Side T4 | 1 |
| 18 | 79940480 | U-Bolt 1x1-3/4 1/4-20 | 1 |
| 19 | 79940495 | Weldment, Reel Base | 1 |
| 20 | 79962100 | Swivel, HP Reel 1/2" | 1 |





Wash Down Accessory Package - 73817300

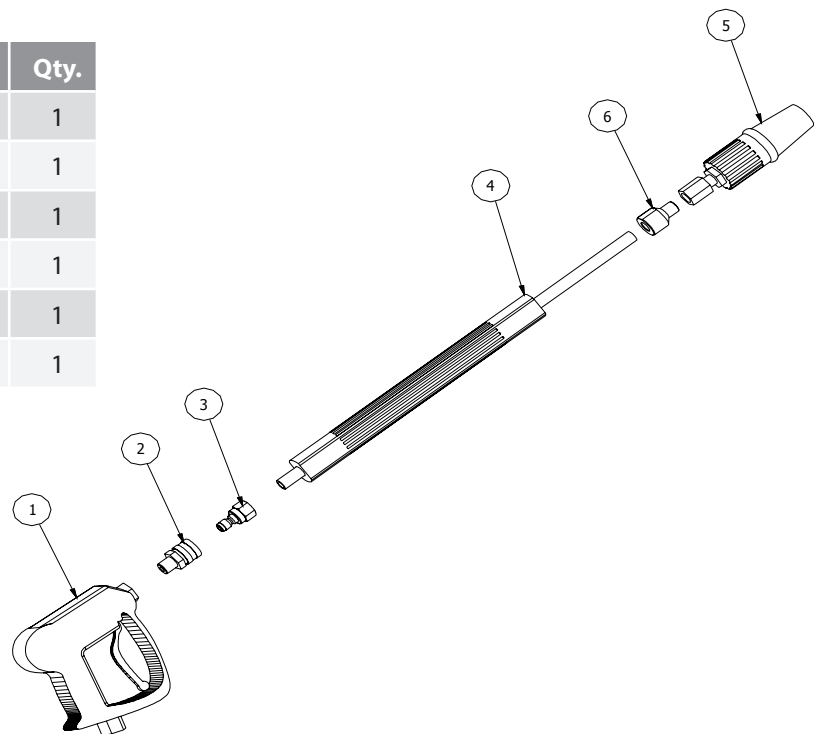


| Item | Part No. | Description | Qty. |
|------|----------|---------------------------------|------|
| 1 | 73816500 | Adapter, Swivel 3/8M x 3/8F | 1 |
| 2 | 77719500 | Hose, 1/4" x 75' | 1 |
| 3 | 77721400 | Coupler, Quick Gun Male | 1 |
| 4 | 77799800 | Handgun Lance V-Nozzle Assembly | 1 |
| 5 | 77815800 | Nozzle, 1/4" Domed (6) | 1 |

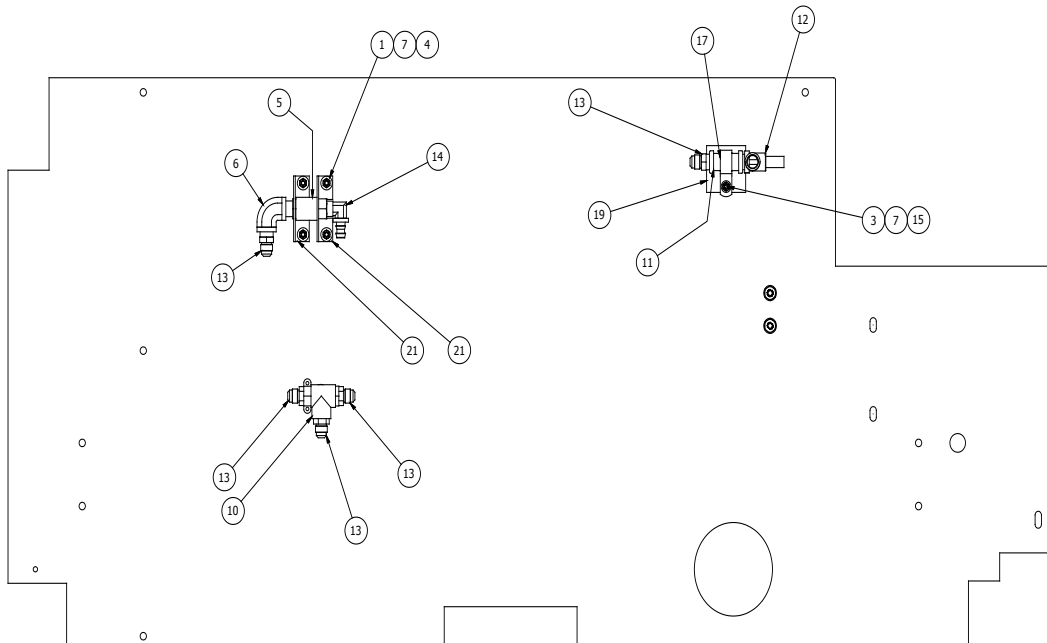
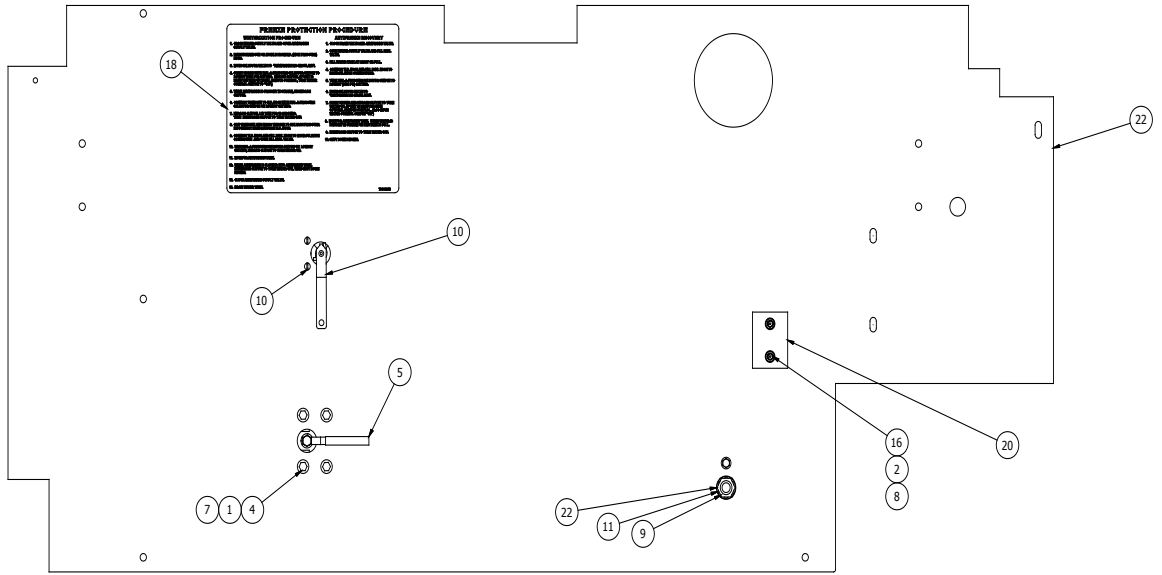


HandGun Lance V-nozzle Assembly - 77799800

| Item | Part No. | Description | Qty. |
|------|-----------|-----------------------------------|------|
| 1 | 77720100 | Gun, Hand | 1 |
| 2 | 77721300 | Coupler, Quick Gun, 1/4" NPT Male | 1 |
| 3 | 77721400 | Coupler, Quick Gun, Male | 1 |
| 4 | 553006-01 | Lance, Insulated Grip, 18" | 1 |
| 5 | 71126100 | Nozzle - Variable .080 | 1 |
| 6 | 7987440 | Fitting, Wand Anti-Kickback | 1 |

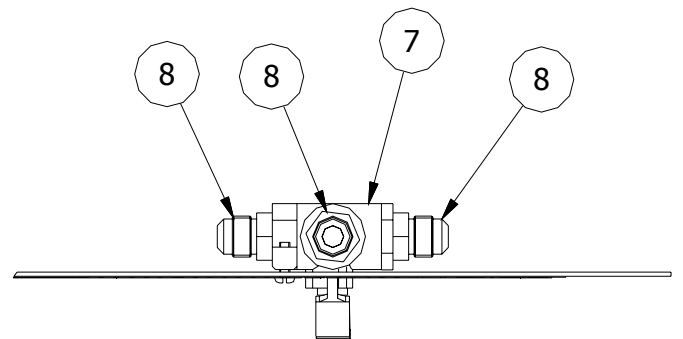


Baseplate Assembly T4 - 79958600

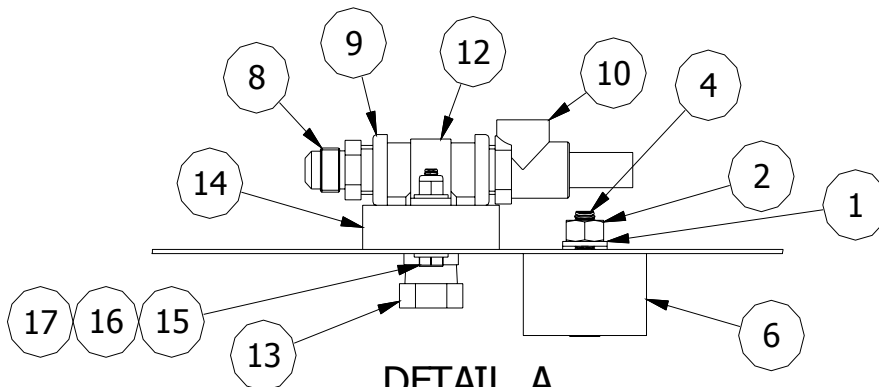


Baseplate Assembly T4 - 79958600

| Item | Part No. | Description | Qty. |
|------|-----------|----------------------------------|------|
| 1 | 02825100 | Washer, Flat 1/4 USS | 8 |
| 2 | 03366300 | Washer, Flat 3/8 SAE | 2 |
| 3 | 521012-04 | Screw, Hex Hd 1/4-20 x 1-1/2 | 1 |
| 4 | 71705500 | Screw, Hex Hd 1/4-20 x 1-1/4 | 4 |
| 5 | 72704800 | Valve, Ball 1/2M x 1/2F | 1 |
| 6 | 72714600 | Elbow, 90 Deg. Female 1/2 | 1 |
| 7 | 73821200 | Nut, Nylon Locking 1/4-20 | 5 |
| 8 | 77748000 | Nut, Stover Lock 2/8-16 UNC | 2 |
| 9 | 77752800 | Adapter, Swivel 1/2 NPT Steel | 1 |
| 10 | 79904410 | Valve, 1/2 Brass 3 Way | 1 |
| 11 | 79904466 | Tee, 1/2" NPT Brass | 1 |
| 12 | 79904475 | Valve, Relief | 1 |
| 13 | 79904476 | Adapter, 1/2NPT -8JIC 45D Brass | 5 |
| 14 | 79904478 | El 90D 1/2NPT-Barb Brass | 1 |
| 15 | 79908200 | Washer, Flat 1/4 SEA | 2 |
| 16 | 79909900 | Screw, Socket HD 3/8-16 x 1-3/4 | 2 |
| 17 | 79934100 | Clamp 3/4 Conduit 1 Hole | 1 |
| 18 | 79934200 | Decal, Freeze Procedure- Warrior | 1 |
| 19 | 79934300 | Spacer-Relief Valve | 1 |
| 20 | 79950600 | Block HP Resting Warrior | 1 |
| 21 | 79956900 | Angle Fill Reel Shutoff MNT | 2 |
| 22 | 79958610 | Plate, Backend T4 | 1 |



DETAIL B
SCALE 1 / 4

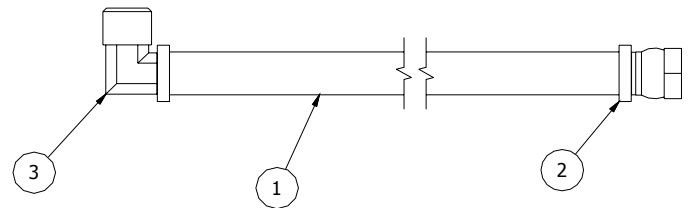


DETAIL A
SCALE 1 / 4

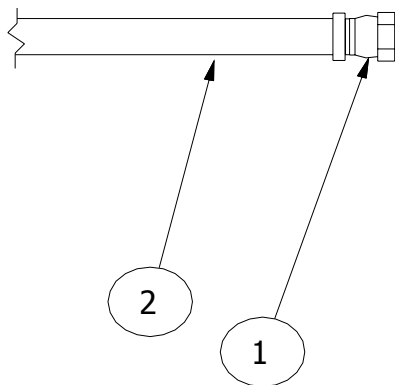
Recirc Hose Assy, Water Tank - 79949000



| Item | Part No. | Description | Qty. |
|------|----------|-----------------------------|--------|
| 1 | 79904483 | Hose, 1/2 Push-On 300 PSI | 8.6 ft |
| 2 | 79904479 | Swivel, 8JIC 45D-Barb Brass | 1 |
| 3 | 79904478 | El, 90D 1/2NPT-Barb Brass | 1 |



RECIRC HOSE ASSEMBLY, FILL REEL 79948700



| Item | Part No. | Description | Qty. |
|------|----------|-----------------------------|--------|
| 1 | 79904479 | Swivel, 8JIC 45D-Barb Brass | 1 |
| 2 | 79904483 | Hose, 1/2 Push-On 300 PSI | 6.3 ft |

RECIRC HOSE ASSEMBLY, FILL REEL 79948700

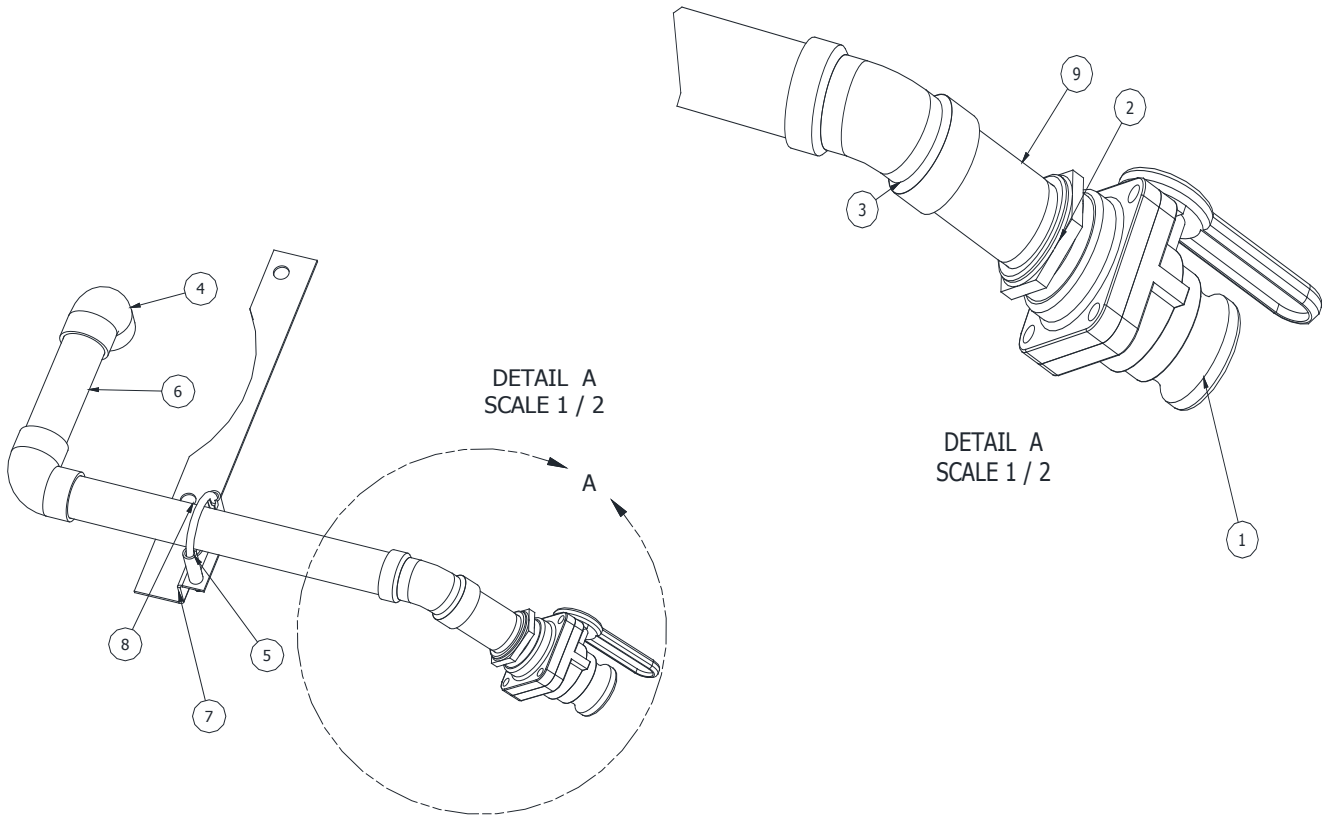
| Item | Part No. | Description | Qty. |
|------|----------|-----------------------------|--------|
| 1 | 79904479 | Swivel, 8JIC 45D-Barb Brass | 1 |
| 2 | 79904483 | Hose, 1/2 Push-On 300 PSI | 2.3 ft |

RECIRC HOSE ASSEMBLY, ANTIFREEZE REEL 79948700

| Item | Part No. | Description | Qty. |
|------|----------|-----------------------------|------|
| 1 | 79904479 | Swivel, 8JIC 45D-Barb Brass | 1 |
| 2 | 79904483 | Hose, 1/2 Push-On 300 PSI | 9 ft |

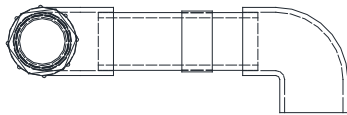
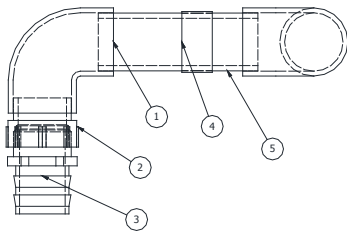


Hydrant Fill Water Tank Assy - 79985850



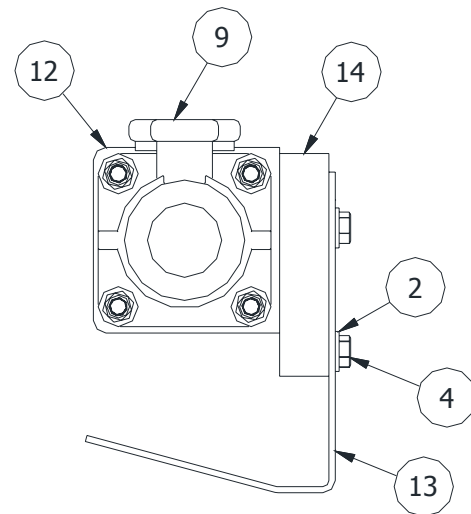
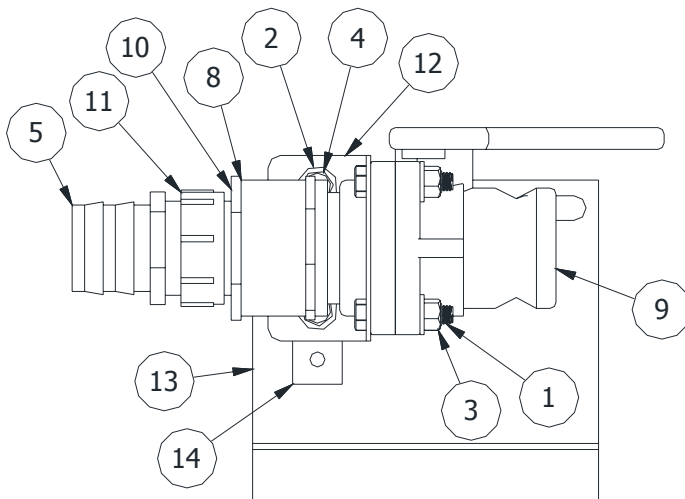
| Item | Part No. | Description | Qty. |
|------|----------|-----------------------------------|------|
| 1 | 79842800 | Ball Valve 2" w/Quick Coupler | 1 |
| 2 | 75853630 | 2"MPT x 1-1/2"FPT Reducer Bushing | 1 |
| 3 | 79921370 | Elbow, 1-1/2" 45D SCH 40 PVC | 1 |
| 4 | 79921360 | Elbow 1-1/2" 90D SCH 40 PVC | 2 |
| 5 | 77770400 | Clamp, Muffler 2-1/4" Zinc Pl | 1 |
| 6 | 79985853 | Pipe, 1-1/2" x 6" - SCH 40 PVC | 1 |
| 7 | 79985854 | Bracket, Hydro Fill 2016 | 1 |
| 8 | 79985852 | Pipe, 1-1/2" x 15.5" - SCH 40 PVC | 1 |
| 9 | 79985855 | Nipple, 3-1/2" PVC/NPT SCH 40 | 1 |

Assy, Tank Fill - 79928600



| Item | Part No. | Description | Qty. |
|------|----------|---------------------------------|------|
| 1 | 79921360 | Elbow 1-1/2" 90D SCH 40 PVC | 2 |
| 2 | 79921322 | Adapter, 1-1/2 PVC to 1-1/2 NPT | 1 |
| 3 | 79812100 | Barb, Hose 1-1/2 MPT x 1-1/2 PO | 1 |
| 4 | 79950410 | Clear View PVC Hose | 1 |
| 5 | 79921350 | Pipe, 1-1/2" SCH 40 PVC | 1 |

Hydrant Fill Assy, Warrior - 79958000

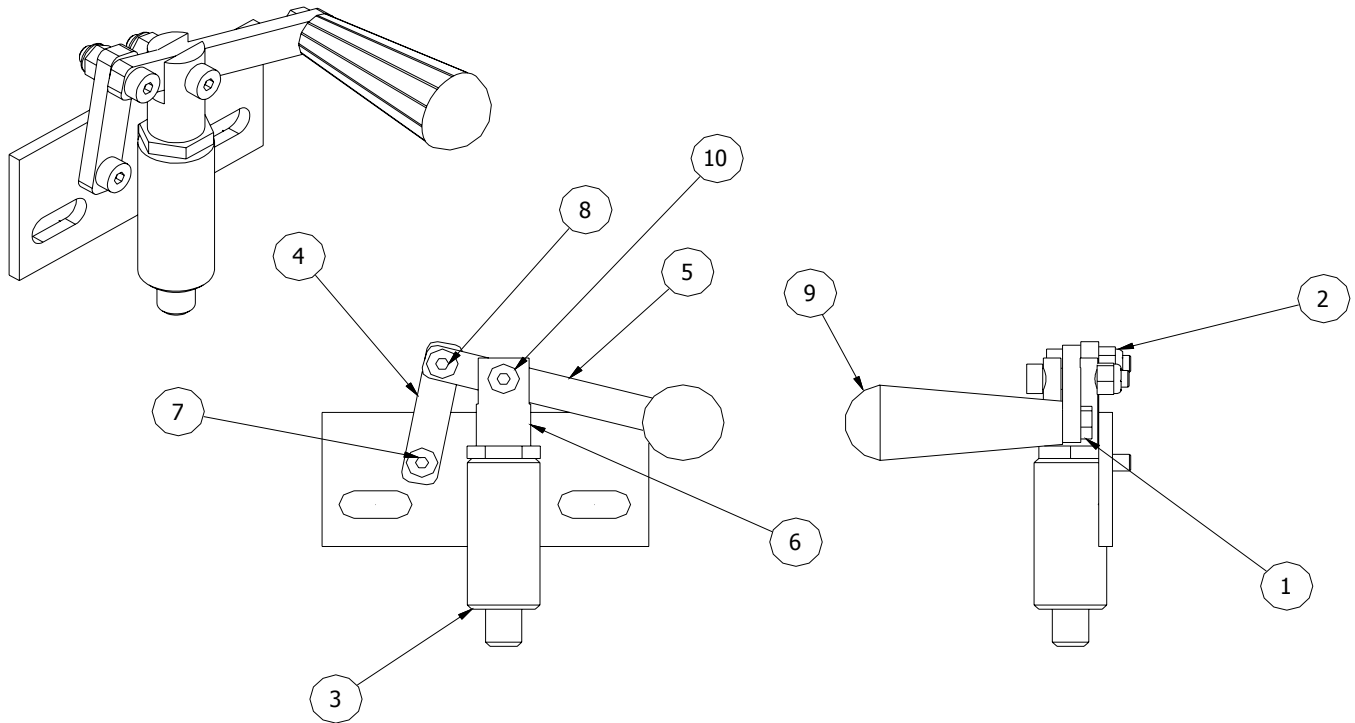


| Item | Part No. | Description | Qty. |
|------|-----------|---------------------------------|------|
| 1 | 00116900 | Screw, Hex Hd 3/8-16 x 1-3/4 | 4 |
| 2 | 03366300 | Washer, Flat 3/8 SAE | 6 |
| 3 | 522132-00 | Nut, Nylon Locking 3/8-16 | 6 |
| 4 | 77738100 | Screw, Hex Hd 3/8-16 x 1 | 2 |
| 5 | 79812100 | Barb, Hose 1-1/2 MPT x 1-1/2 PO | 1 |
| 8 | 79830200 | Adapter, 2" Male SCHED 80 PVC | 1 |

| Item | Part No. | Description | Qty. |
|------|----------|---------------------------------|------|
| 9 | 79842800 | Ball Valve 2" w/Quick Coupler | 1 |
| 10 | 79921321 | Reducer, 2" to 1-1/2 SCH 40 PVC | 1 |
| 11 | 79921322 | Adapter, 1-1/2 PVC to 1-1/2 NPT | 1 |
| 12 | 79935100 | Plate, Ball Valve MNT Bracket | 1 |
| 13 | 79950400 | Plate, Hydrant Fill Mount | 1 |
| 14 | 79950420 | Spacer, Hydrant Fill | 1 |



Latch Assembly, 90 Deg Lower - 79957000



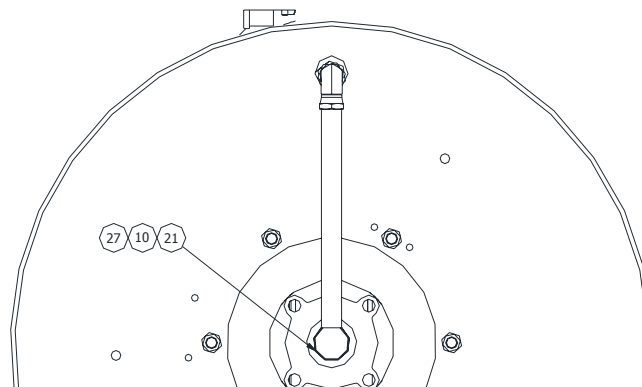
| Item | Part No. | Description | Qty. |
|------|----------|----------------------------------|------|
| 1 | 00113700 | Screw, Hex Hd Cap 1/4-20 x 3/4 | 1 |
| 2 | 73821200 | Nut, Nylock Lock 1/4-20 | 2 |
| 4 | 79957010 | Weldment, Spring Pin-MNT Bracket | 1 |
| 5 | 79957020 | Plate, Pivot Lever Arm | 1 |
| 6 | 79957030 | Plate, Handle Lever Arm | 1 |
| 7 | 79957040 | Coupler, Lever Arm-Spring Pin | 1 |
| 8 | 79957050 | Screw, Shoulder 5/16 x 1/4 SS | 1 |
| 9 | 79957060 | Screw, Shoulder 5/16 x 1/2 SS | 1 |
| 10 | 79957070 | Handle, Blk Plst 3" Lng 1/4-20 | 1 |
| 11 | 79957080 | Screw, Shoulder 5/16 x 3/4 SS | 1 |

High Pressure Reel Assembly - 79958300



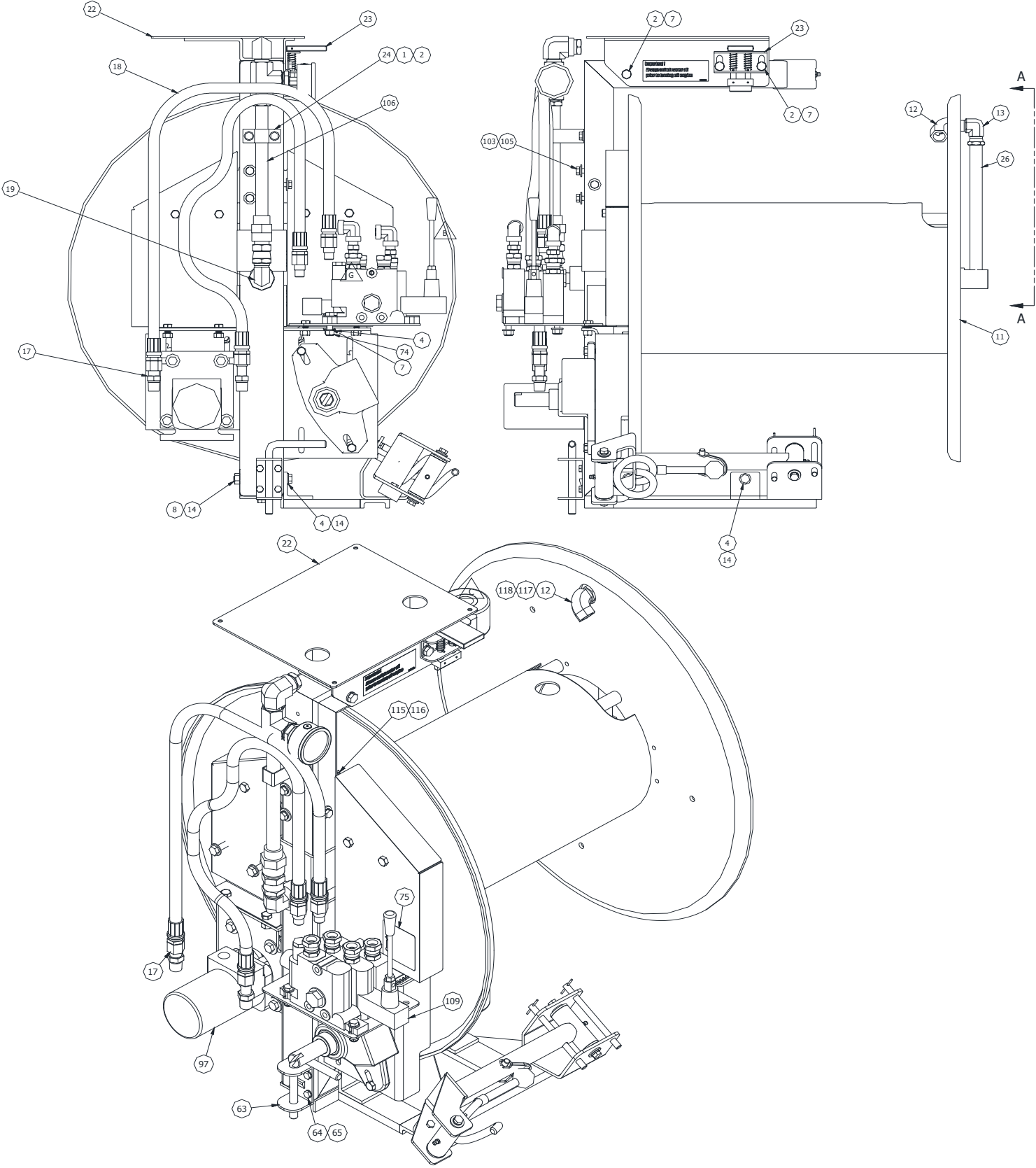
| Item | Part No. | Description | Qty. |
|------|----------|---|------|
| 1 | 00115100 | Screw, Hex Hd Cap 5/16-18 x 1" | 4 |
| 2 | 00165800 | Washer, Lock Split 3/8 | 11 |
| 4 | 03366300 | Washer, Flat 3/8 SAE | 6 |
| 7 | 77738100 | Screw, Cap Hex Hd 3/8-16 x 1 | 9 |
| 8 | 77748000 | Nut, Stover Lock 2/8-16 x 1 | 2 |
| 10 | 79904930 | Coupling, Hex 1/2NPT Steel | 1 |
| 11 | 79932000 | Reel, HP Warrior | 1 |
| 12 | 79932055 | Elbow, Female Pipe 1/2NPSM x 1/2 NPT | 1 |
| 13 | 79932060 | Swivel, 1/2-14 NPT-NPSM Elbow | 1 |
| 17 | 79948010 | Reducer, Pipe 1/2 x 3/8NPT | 2 |
| 18 | 79948080 | Hose, Hyd Bypass Warrior | 2 |
| 19 | 79948110 | Elbow, 12 Male Street 37 Degree | 1 |
| 21 | 79962100 | Swivel, 5000 PSI 1/2 Super-Swivel (Supplied w/Reel) | 1 |
| 22 | 79962200 | Weldment, Control Panel Mount (09) | 1 |
| 23 | 79962500 | Upper Reel Lock, Soldier | 1 |
| 24 | 79962500 | Bracket, HP Reel Nipple Support | 1 |
| 26 | 79962630 | Pipe SS, 1/2" NPT - 10" Long | 1 |
| 27 | 77770800 | Nipple, Hex 1/2 NPT | 1 |
| 63 | 79966320 | Latch, Spring Bolt Zn Plt | 1 |

| Item | Part No. | Description | Qty. |
|------|-----------|---|-------|
| 64 | 71705800 | Screw, Hex Hd 1/4-20 x 1-1/4 | 4 |
| 65 | 00165400 | Washer, Lock Split 1/4 | 4 |
| 67 | 79947870 | Decal-Water Off Before Engine | 1 |
| 74 | 522132-00 | Nut, Nylon Locking 3/8-16 | 2 |
| 75 | 79970200 | Decal, Hose-In-Out-Spin | 1 |
| 82 | 79962700 | Assy, Hose Guide Pivot War 09 | 1 |
| 97 | 79932180 | Assy, High Torque Motor w/ Sprocket | 1 |
| 98 | 00162700 | Washer, Flat 3/8 | 8 |
| 99 | 01733900 | Nut, Hex 3/8-16 | 4 |
| 103 | 00162600 | Washer, Flat 5/16 USS | 3 |
| 104 | 523911-02 | Washer, Lock Split 5/16 | 3 |
| 105 | 02939000 | Screw, Cap Hex Hd 5/16-18 x 3/4 | 3 |
| 106 | 79962600 | Assy, HP Nipple - Gauge- Warrior 09 | 1 |
| 109 | 79948170 | Assy, Hyd Valve Single Section | 1 |
| 114 | 79947360 | Screw, 3/8-16 x 3-3/4 Hex Hd | 2 |
| 115 | 79932035 | Chain, HP Reel Drive (Not Shown) | 1 |
| 116 | 79932183 | Links, #35 Chain Extension (Not Shown) | 1 |
| 117 | 79962320 | Hose, HP Reel Protector Cover (Not Shown) | 2 |
| 118 | 79966200 | Flex Heat Shrink Tubing | 2 ft. |



View A-A

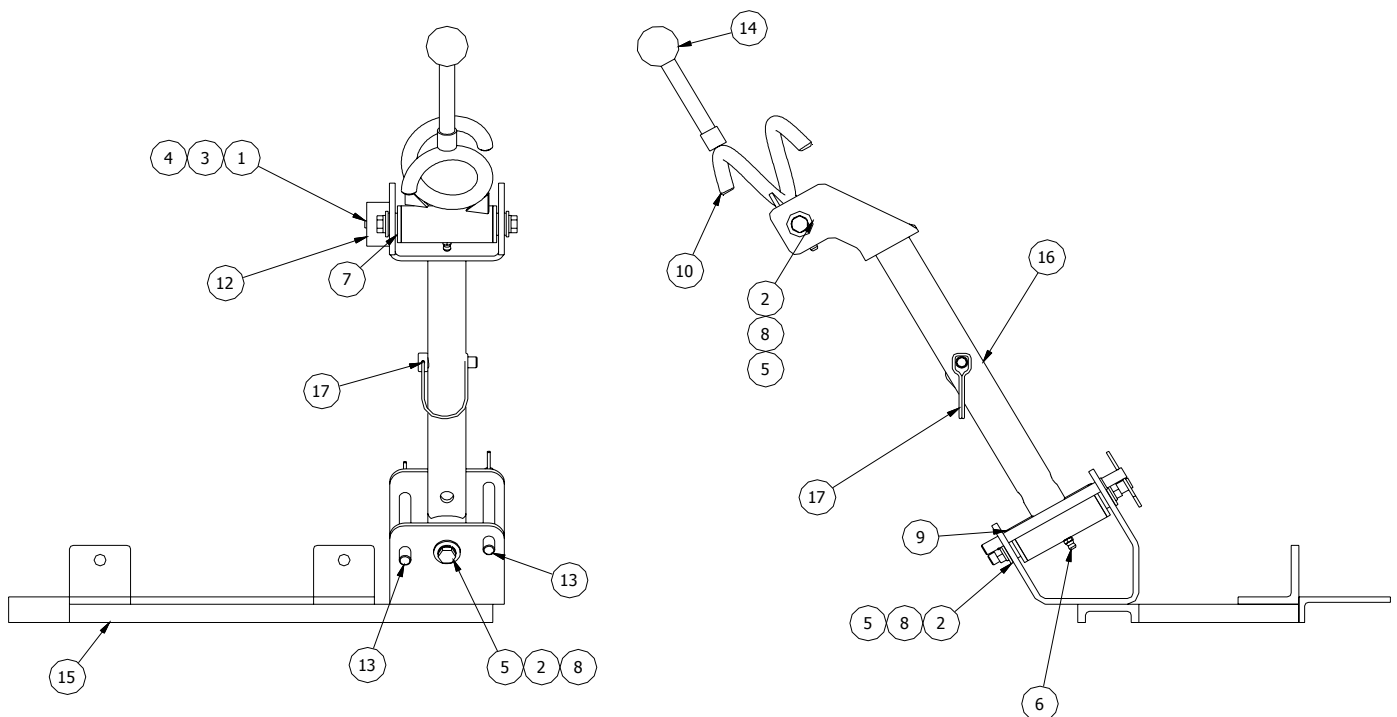
High Pressure Reel Assembly - 79958300



Hose Guide Assembly - 79962700



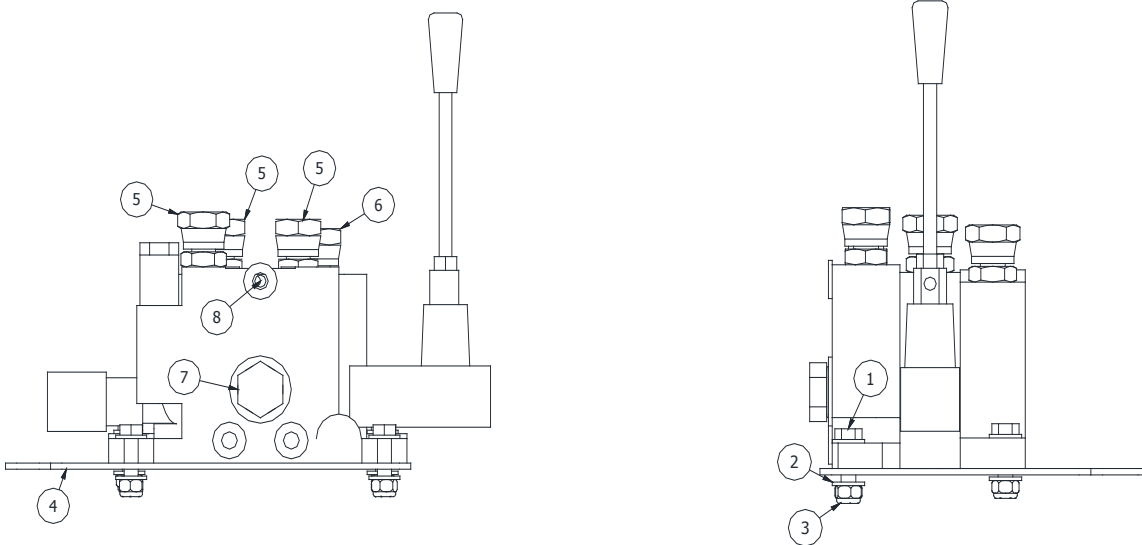
| Item | Part No. | Description | Qty. |
|------|----------|---------------------------------------|------|
| 1 | 00113901 | Screw, Hex Hd Cap 1/4-20 x 1 Zn | 1 |
| 2 | 00162600 | Washer, Flat 5/16 USS | 4 |
| 3 | 02821200 | Nut, Nylock Jam 1/4-20 | 1 |
| 4 | 02825100 | Washer, Flat 1/4 USS | 1 |
| 5 | 02939000 | Screw, Cap Hex Hd 5/16-18 x 3/4 | 4 |
| 6 | 44218300 | Fitting Standard Drive | 2 |
| 7 | 75845090 | Shaft, SS .75 O.D. | 2 |
| 8 | 77743400 | Washer, Lock Split 5/16 | 4 |
| 9 | 79911500 | Bearing, Flanged 3/4 ID x 1/2 | 2 |
| 10 | 79911600 | Coiled Hose Guide w/Bearings | 1 |
| 12 | 79950810 | Bumper, 1-1/2" Dia x 3/4" HG | 1 |
| 13 | 79962710 | Pin, 3/8" Dia - 4" Usable - T-HNDL | 2 |
| 14 | 79962720 | Lever, Steel Ball Handle 4" | 1 |
| 15 | 79962800 | Weldment, HG Cantilever Support | 1 |
| 16 | 79962900 | Weldment, Pivot HG 90Deg Arm | 1 |
| 17 | 79966310 | Pin, Locking 3/8" Dia - 1-3/8" Usable | 1 |



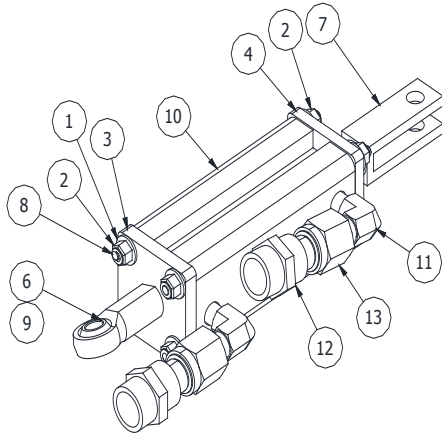


Assy, Hyd Valve Single Section - 79948170

| Item | Part No. | Description | Qty. |
|------|-----------|---|------|
| 1 | 00115300 | Screw, Hex Hd Cap 5/16-18 x 1-1/4 | 4 |
| 2 | 02899200 | Washer, Flat 5/16 USS | 8 |
| 3 | 522122-00 | Nut, Lock 5/16-18 | 4 |
| 4 | 79947560 | Plate, Hyd Valve 4 Hole | 1 |
| 5 | 79948020 | Adapter, 3/4-16 O-Ring - 3/8 NPT Swivel | 3 |
| 6 | 79948230 | Adapter, #10 SAE O-Ring 3/8 NPT | 1 |
| 7 | 79948240 | Plug, #10 SAE O-Ring | 1 |
| 8 | 79948270 | Valve, Hyd Single Section | 1 |

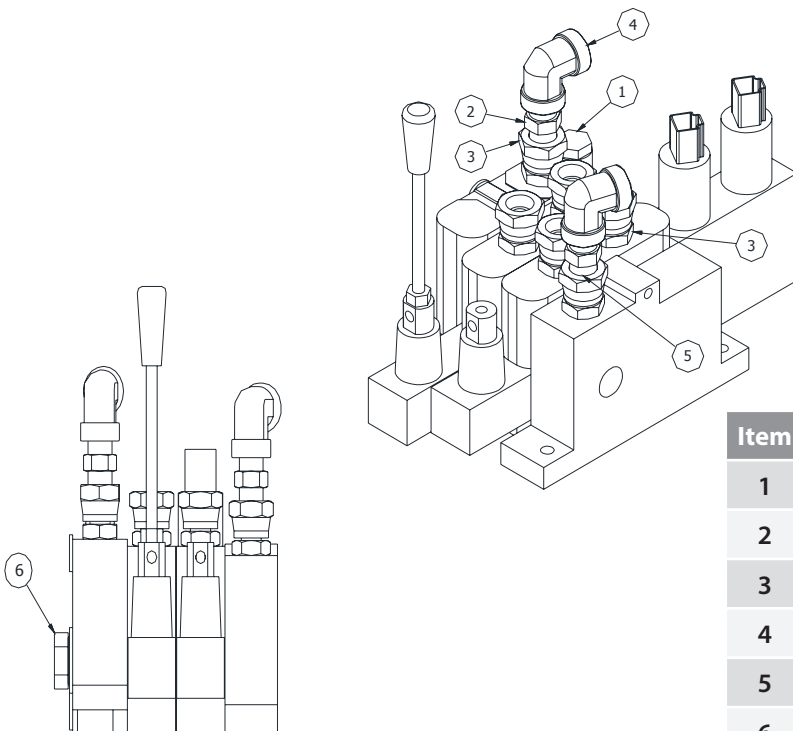


Assy, Hyd Valve Operator - 79915600



| Item | Part No. | Description | Qty. |
|------|-----------|-----------------------------------|------|
| 1 | 00162400 | Washer, Flat 3/16 USS | 8 |
| 2 | 79915700 | Nut, Nylock #10-32 SS | 8 |
| 3 | 79915571 | Plate 571 | 1 |
| 4 | 79915573 | Plate 571 | 1 |
| 6 | 79915620 | Rod End 3/8-24 Female Shank | 1 |
| 7 | 79915630 | Clevis, 3/8-24 x 3/8 Pin | 1 |
| 8 | 79915640 | Tie Rod #10-32 SS x 5-3/4 | 4 |
| 9 | 79915650 | Screw, 3/8-16 x 3/4 Fl Hd Hex Soc | 1 |
| 10 | 79915660 | Cylinder, Hyd 1" Bore x 3" Stroke | 1 |
| 11 | 71707300 | Elbow, 90 Deg. Male 1/4 x 1/8 | 2 |
| 12 | 73818400 | Coupler, Female 3/8 Hose | 2 |
| 13 | 542104-03 | Bushing Red 3/8M x 1/4F Stl | 2 |

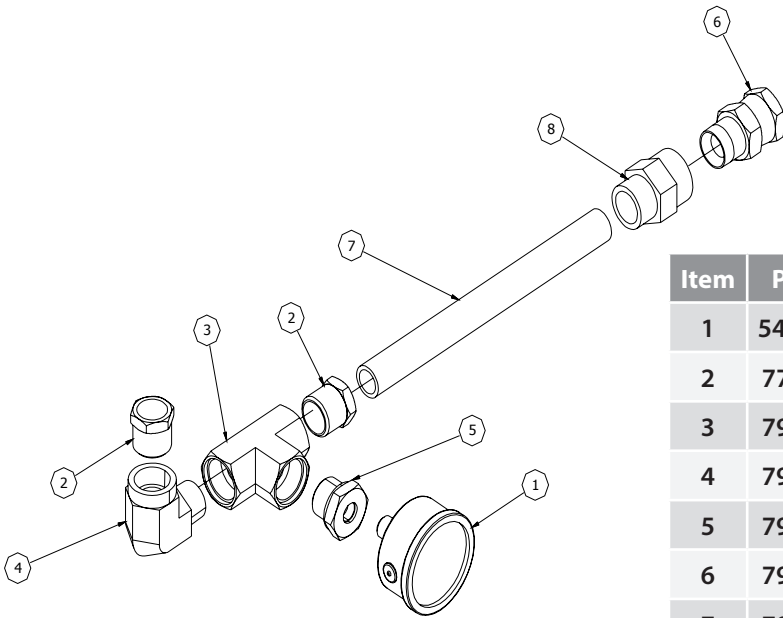
Assy, Tandem Solenoid Valve - 79948220



| Item | Part No. | Description | Qty. |
|------|----------|---------------------------------------|------|
| 1 | 79948210 | Valve, Hyd Tandem Solenoid | 1 |
| 2 | 79948030 | Nipple Hex 3/8 NPT Steel | 2 |
| 3 | 79948020 | Adapter, 3/4-16 O-Ring, 3/8 NPT Steel | 5 |
| 4 | 72710000 | Elbow, 90 Deg. Female 3/8 Steel | 2 |
| 5 | 79948230 | Adapter, #10 SAE O-Ring 3/8 NPT | 1 |
| 6 | 79948240 | Plug, #10 SAE O-Ring | 1 |



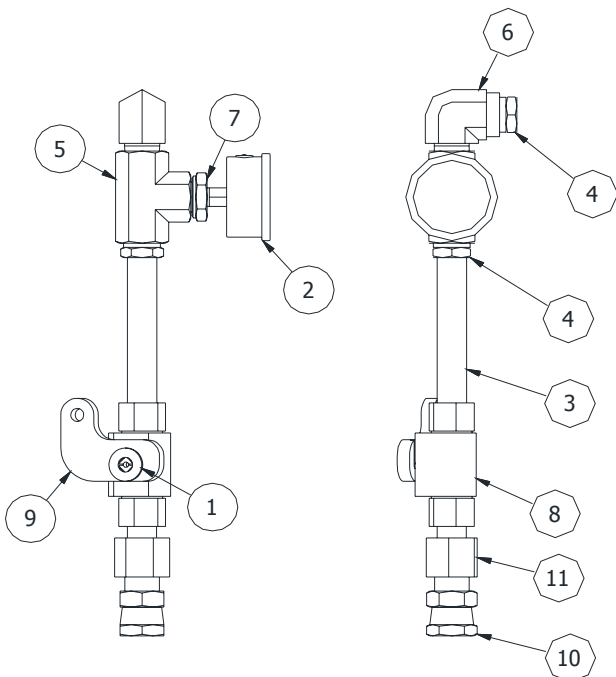
Assy, HP Nipple/Gauge Warrior - 79962600



| Item | Part No. | Description | Qty. |
|------|-----------|--------------------------------------|------|
| 1 | 544000-01 | Gauge 5000 PSI 1/4 NPT | 1 |
| 2 | 77742600 | Bushing, Reducer 3/4 x 1/2 | 2 |
| 3 | 79816100 | Tee, 3/4 NPT Steel | 1 |
| 4 | 79816200 | Elbow, 90 Deg Street 3/4 Steel | 1 |
| 5 | 79816300 | Reducer Bushing 3/4 x 1/4 | 1 |
| 6 | 79948120 | Swivel Adapter, 12ML 37 Deg-3/4 MNPT | 1 |
| 7 | 79962610 | Pipe Nipple, 1/2" NPT-9" Long | 1 |
| 8 | 79962620 | Pipe Coupling, 1/2" - 3/4" NPT | 1 |

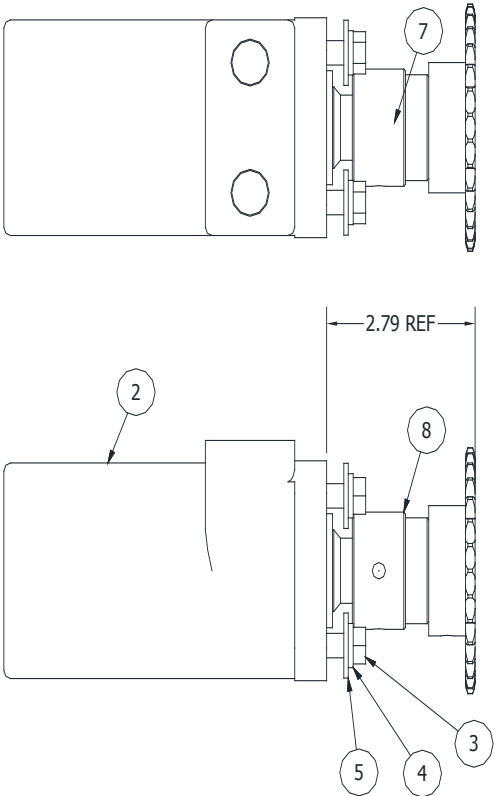


Assy, HP Nipple-Gauge & Valve - 79960300



| Item | Part No. | Description | Qty. |
|------|-----------|--|------|
| 1 | 00162700 | Washer, Flat 3/8 | 1 |
| 2 | 544000-01 | Gauge 5000 PSI 1/4 NPT | 2 |
| 3 | 72730100 | Nipple, 1/2 NPT x 5 | 1 |
| 4 | 77742600 | Bushing, Reducer 3/4 x 1/2 | 2 |
| 5 | 79816100 | Tee, 3/4 NPT Steel | 1 |
| 6 | 79816200 | Elbow, 90 Deg Street 3/4 Steel | 1 |
| 7 | 79816300 | Reducer Bushing 3/4 x 1/2 | 1 |
| 8 | 79914600 | Valve, 1/2" SS 5880 PSI | 1 |
| 9 | 79915560 | Handle, 1/2" SS Valve | 1 |
| 10 | 79948120 | Swivel Adapter, 12ML 37Deg-3/4MNPT | 1 |
| 11 | 79915690 | Adapter, 1/2 NPT Male x 3/4 NPT Female | 1 |

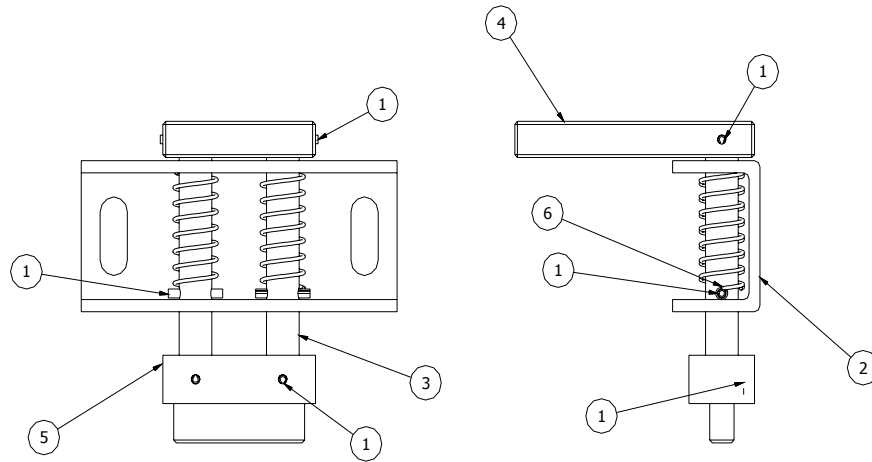
Assy, Hi-Torque Motor w/Sprocket - 79932180



| Item | Part No. | Description | Qty. |
|------|----------|--|------|
| 2 | 41294500 | Motor, Hydraulic | 1 |
| 3 | 77738300 | Screw, Cap Hex Hd 3/8-16 x 3/4 | 4 |
| 4 | 00165800 | Washer, Lock Split 3/8 | 4 |
| 5 | 00162700 | Washer, Flat 3/8 | 4 |
| 7 | 79932173 | Screw, Set 5/16-18 x 3/8 | 2 |
| 8 | 79932182 | Sprocket, Hi-Torque | 1 |
| 9 | 79932183 | Links, #35 Chain Extension (Not Shown) | 1 |
| 10 | 77737000 | Link #35 Roller Chain Connecting | 1 |

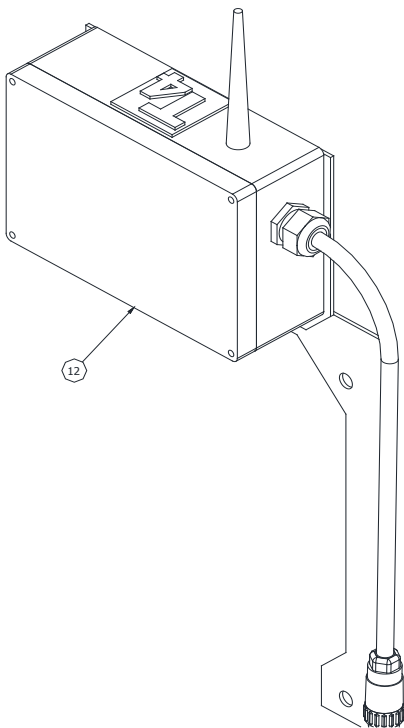
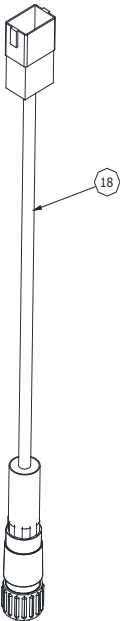
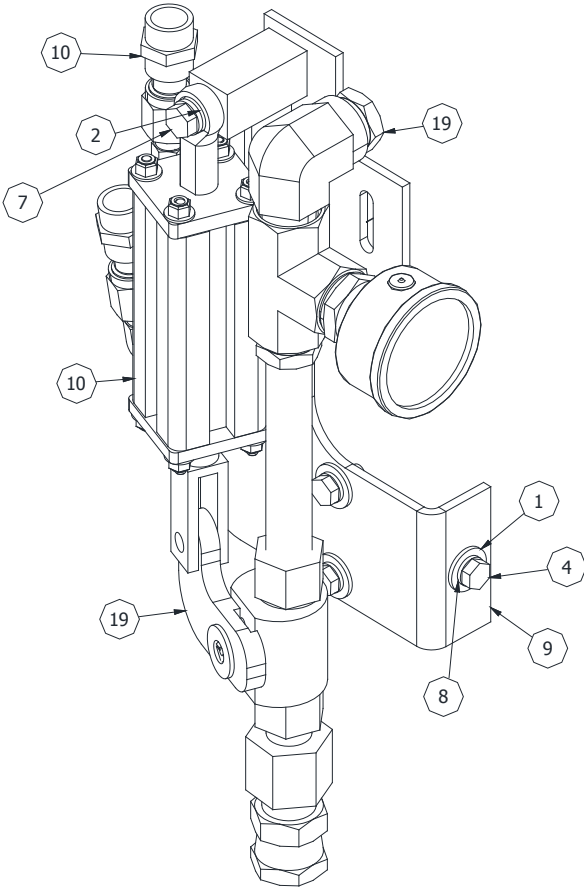
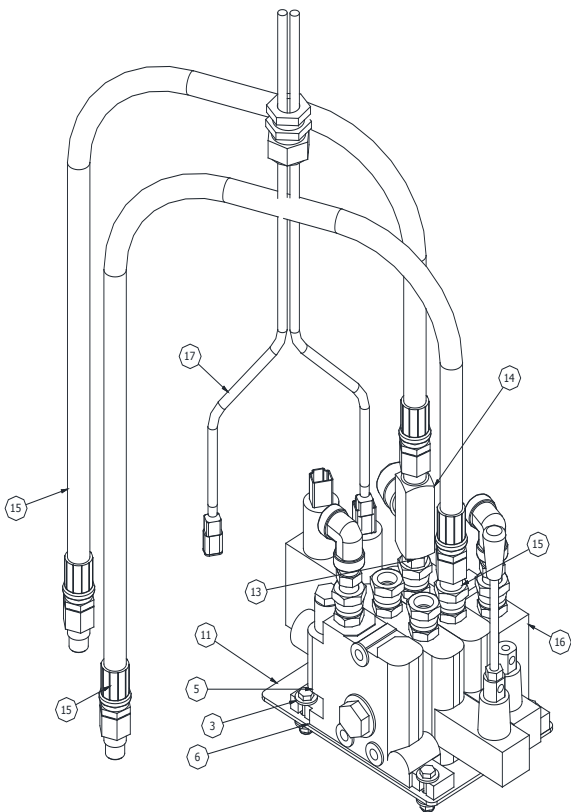


Latch Assy, 180 Pivot Dbl Pin - 79962400



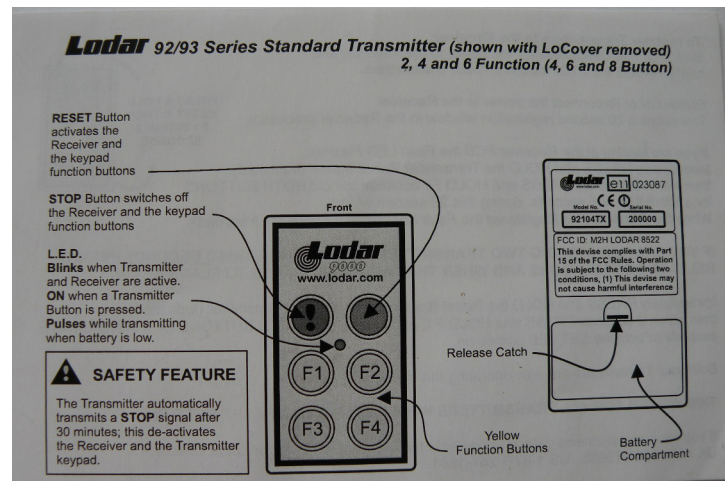
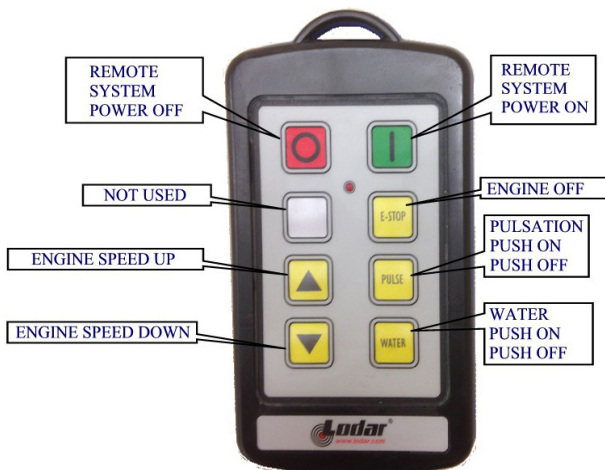
| Item | Part No. | Description | Qty. |
|------|----------|-------------------------------|------|
| 1 | 75851503 | Spring Pin, 3/32" OD x 5/8" | 6 |
| 2 | 79962410 | Bracket, 180 Pivot-DBL Pin | 1 |
| 3 | 79962420 | Pin, 180 Pivot Latch-DBL Pin | 2 |
| 4 | 79962430 | Grab, 180 Pivot Latch-DBL Pin | 1 |
| 5 | 79962440 | Stricker- 180 Pivot Latch | 1 |
| 6 | 79962450 | Spring .5" OD - 1/5" Free Lng | 2 |

Optional Wireless Remote Control - 79947900



Optional Wireless Remote Control - 79947900

| Item | Part No. | Description | Qty. |
|------|----------|----------------------------------|------|
| 1 | 00162600 | Washer, Flat 5/16 USS | 3 |
| 2 | 00165800 | Washer, Lock Split 3/8 | 1 |
| 3 | 02825100 | Washer, Flat 1/4 USS | 8 |
| 4 | 02939000 | Screw, Cap Hex Hd 5/16-18 x 3/4 | 3 |
| 5 | 71705500 | Screw, Hex Hd 1/4-20 x 1-1/4 | 4 |
| 6 | 73821200 | Nut, Nylon Locking 1/4-20 | 4 |
| 7 | 77738100 | Screw, Cap Hex Hd 3/8-16 x 1 | 1 |
| 8 | 77743400 | Washer, Lock Split 5/16 | 3 |
| 9 | 79915580 | Weldment, Cyl Bracket | 1 |
| 10 | 79915600 | Assy, Hyd Valve Operator | 1 |
| 11 | 79947560 | Plate, Hyd Valve 4 Hole | 1 |
| 12 | 79947901 | Assy, Remote Control System | 1 |
| 13 | 79948030 | Nipple, Hex 3/8 NPT Steel | 1 |
| 14 | 79948040 | Valve, Flow Control 3/8 | 1 |
| 15 | 79948080 | Hose, 1/2" NPT x 36 - 1/2 | 2 |
| 16 | 79948220 | Assy, Tandem Solenoid Valve | 1 |
| 17 | 79948260 | Cord Assy, Tandem Solenoid | 1 |
| 18 | 79953400 | Wiring Harness, T4 Remote - 2016 | 1 |
| 19 | 79960300 | Assy, HP Nipple - Gauge & Valve | 1 |



Optional Remote Control - 79947900

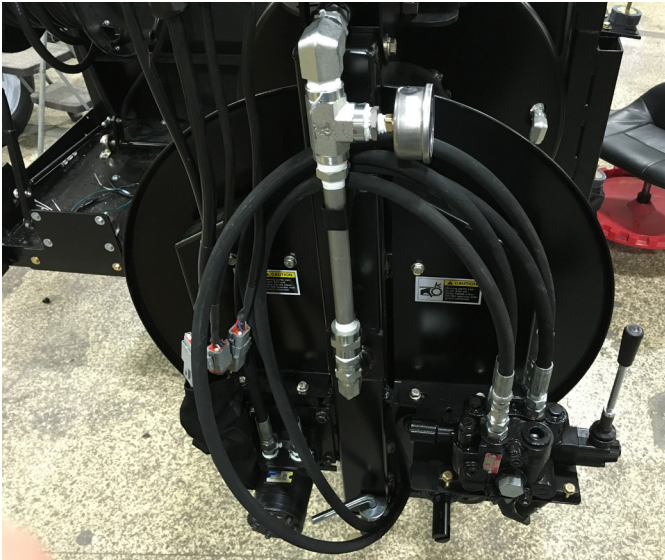


Fig. 78.1

Original hydraulic valve and HP water connections on Units without Remote Control



Fig. 78.2

Single section hydraulic valve is replaced by 2 section hydraulic valve assembly

One section is manually operated to control reel rewind, the other is electrically operated by remote control system to control water ON/OFF



Fig. 78.3

View of hydraulic cylinder attached to HP water valve

Optional Remote Control - 79947900



Wireless Remote Control Receiver Unit

Fig. 79.1

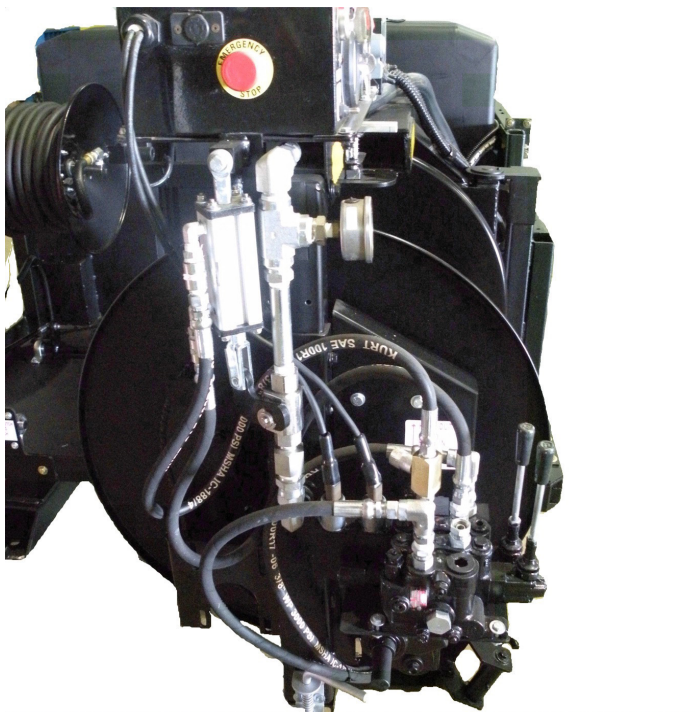


Fig. 79.2

Complete water control with 2 section hydraulic valve, hydraulic cylinder and high pressure water valve

How to Link Hand Held Wireless Remote to Remote Control Receiver Unit

To register Transmitters to the Receiver.
Switch OFF or DISCONNECT the power to the Receiver and briefly PRESS the STOP button on both Transmitters.

Switch ON or Reconnect the power to the Receiver.
This opens a 20 second registration window in the Receiver processor.


If you are looking at the Receiver PCB the Fault LED Flashes.
Immediately PRESS and HOLD the Transmitter Reset Button (Indicated) then within 2 seconds PRESS and HOLD F1 continue to hold BOTH BUTTONS for a MINIMUM of 5 seconds during this 20 second window.
When the Transmitter is Registered the Fault LED be illuminated for 3 seconds.

IF YOU ARE REGISTERING TWO TRANSMITTERS THEN WITHIN THIS 3 SECONDS PERIOD RELEASE BOTH BUTTONS AND WHEN THE FAULT LED STARTS TO FLASH AGAIN.

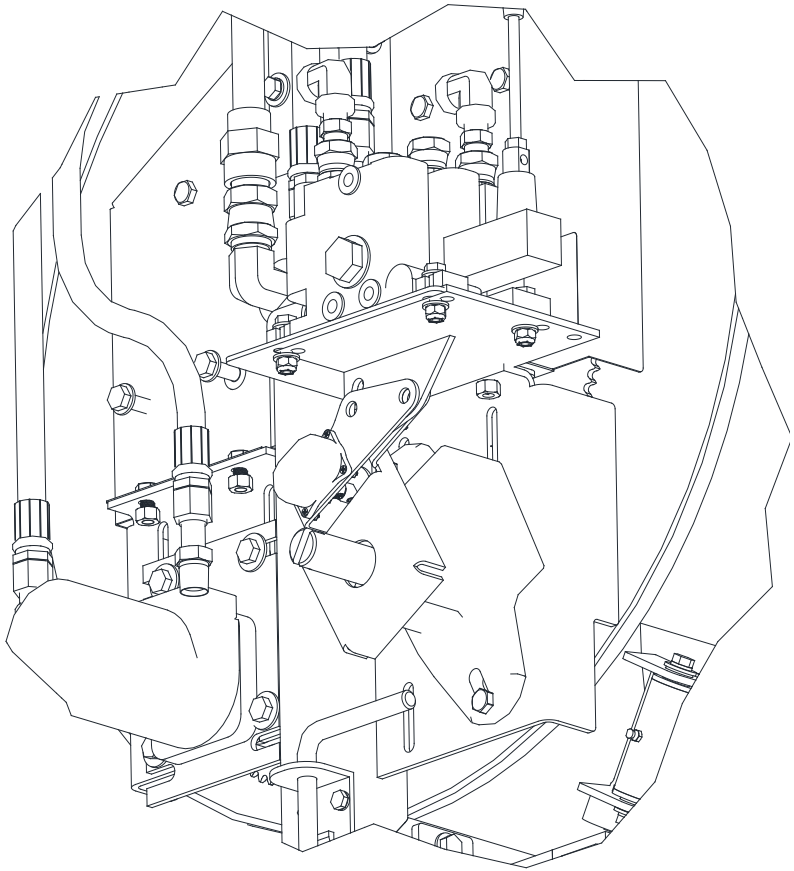
Immediately PRESS and HOLD the Reset Button on the second Transmitter (Indicated) then within 2 seconds PRESS and HOLD F1, continue to hold BOTH BUTTONS for a MINIMUM of 5 seconds or until the SET LED comes on.

Both your Transmitters are now operating the Receiver.

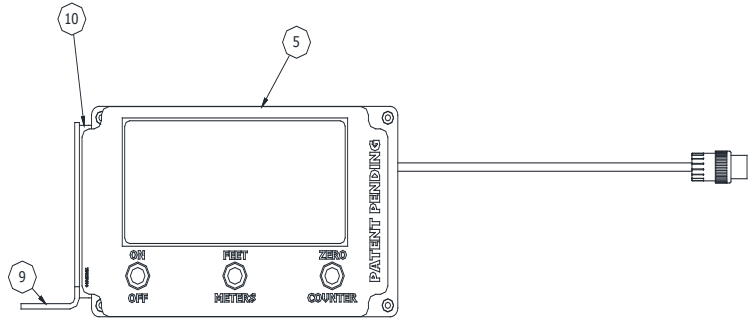
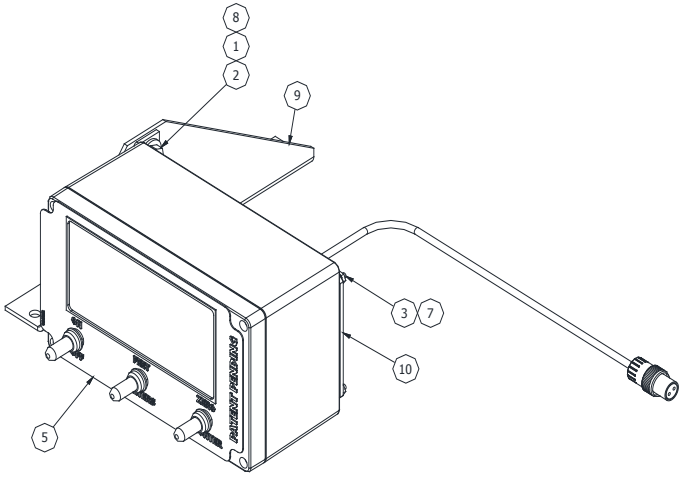
THIS WORKS FOR ALL TRANSMITTERS WITH A STOP AND A RESET BUTTON



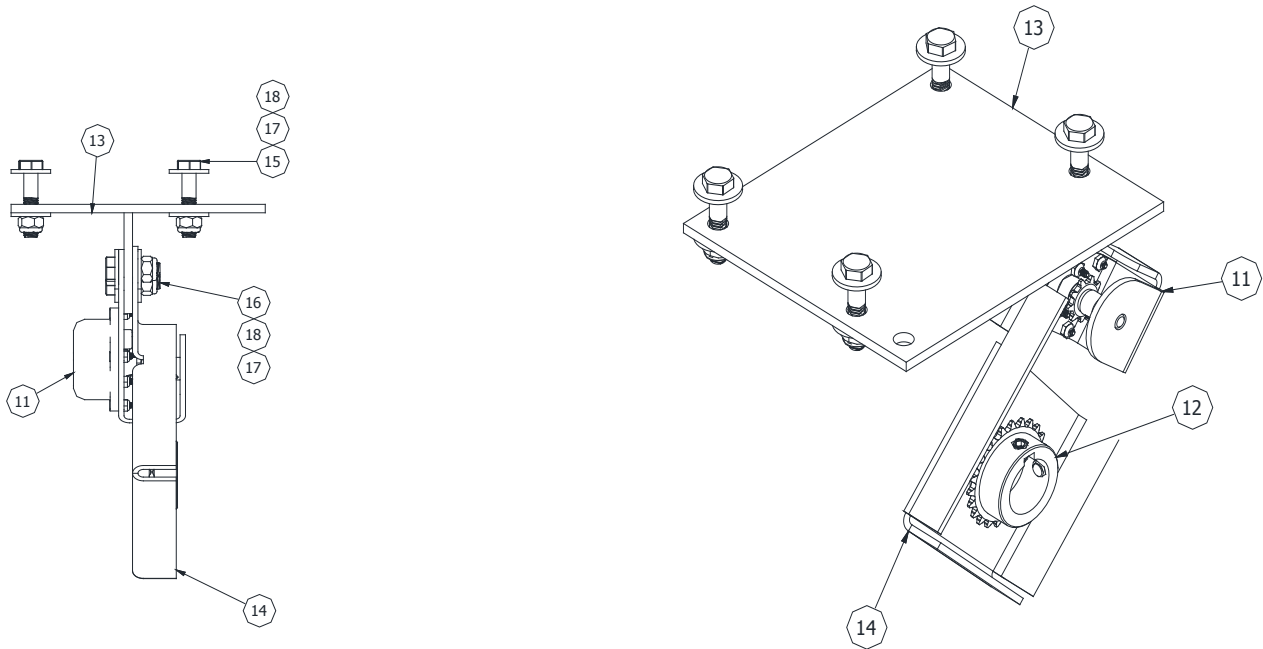
Optional Footage Counter - 79975000



Footage Counter Sensor
Mounted to Reel
(Guard Removed to Show Mounting)



Optional Footage Counter - 79975000



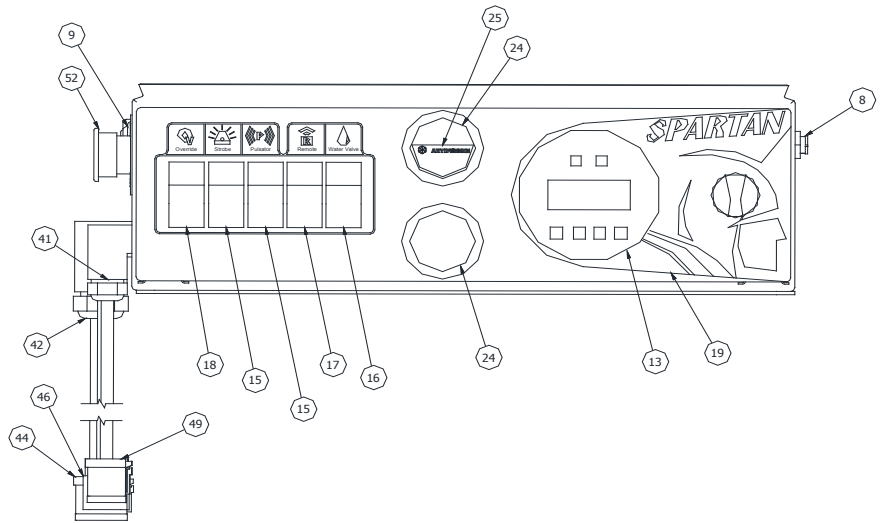
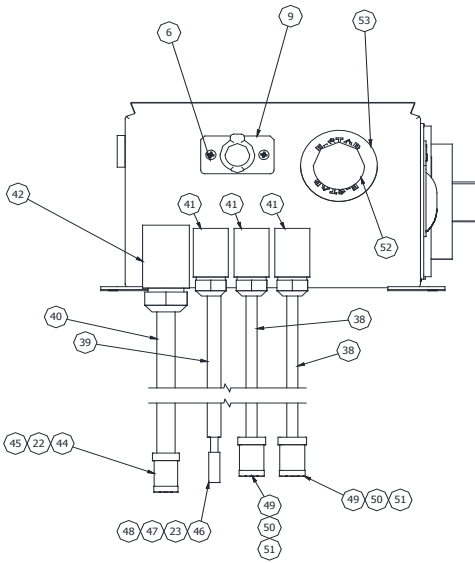
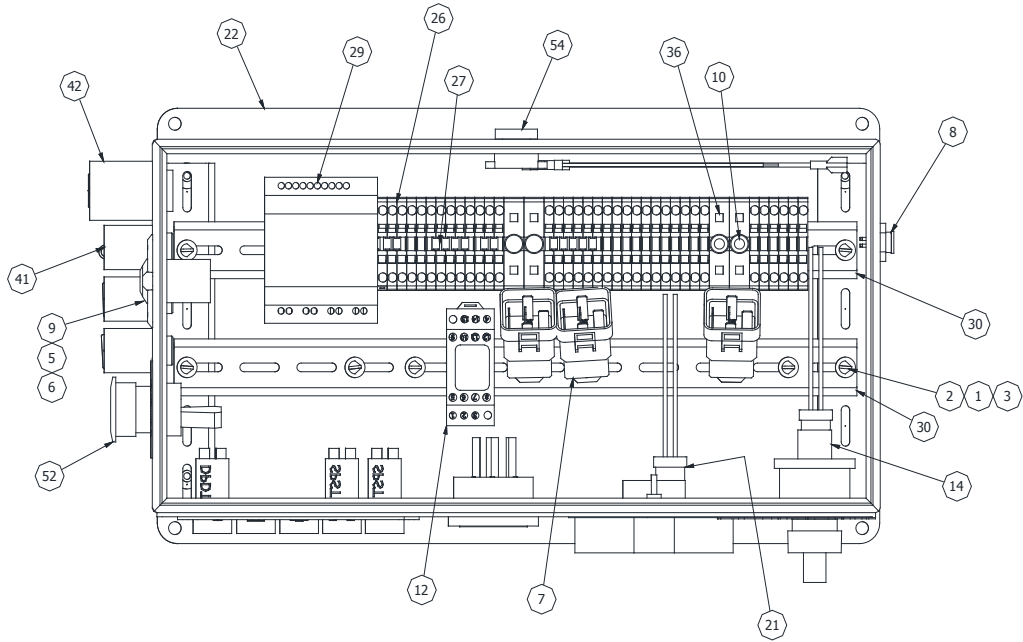
| Item | Part No. | Description | Qty. |
|------|-----------|---------------------------------------|------|
| 1 | 02821200 | Nut, Nylock Jam 1/4-20 | 2 |
| 2 | 02825100 | Washer, Flat 1/4 USS | 2 |
| 3 | 61026000 | Screw, 6-32 x 1/2 Pan Hd Phil | 4 |
| 4 | 75879180 | Roller Chain #25 | 10in |
| 5 | 75875300 | LED Enclosure Assembly - Hose Counter | 1 |
| 6 | 75879185 | Master Link Roller Chain #25 | 1 |
| 7 | 77789100 | Nut, Kep 6-32 Zn Plt | 4 |
| 8 | 79975200 | Screw, Phil Flat HD 1/4-20 x 1 SS | 2 |
| 9 | 79975300 | Plate, Jetter Cnt Control Box Mount | 1 |
| 10 | 79975400 | Plate, Jetter Control Box Mount | 1 |
| 11 | 75879100 | Assembly, Counter Carriage | 1 |
| 12 | 75879150 | Sprocket, 1 Bore 23 Tooth | 1 |
| 13 | 75879200 | Weldment, Warrior Swing Counter | 1 |
| 14 | 75879210 | Bracket, Warrior Counter Chain | 1 |
| 15 | 44225000 | Screw, Hex Hd 5/16-18 x 1-1/2 | 4 |
| 16 | 00115100 | Screw, Hex Hd 5/16-18 x 1 | 2 |
| 17 | 00162600 | Washer, Flat 5/16 USS | 12 |
| 18 | 522122-00 | Nut, Lock 5/16-18 | 6 |

Control Box Assembly - 79953600

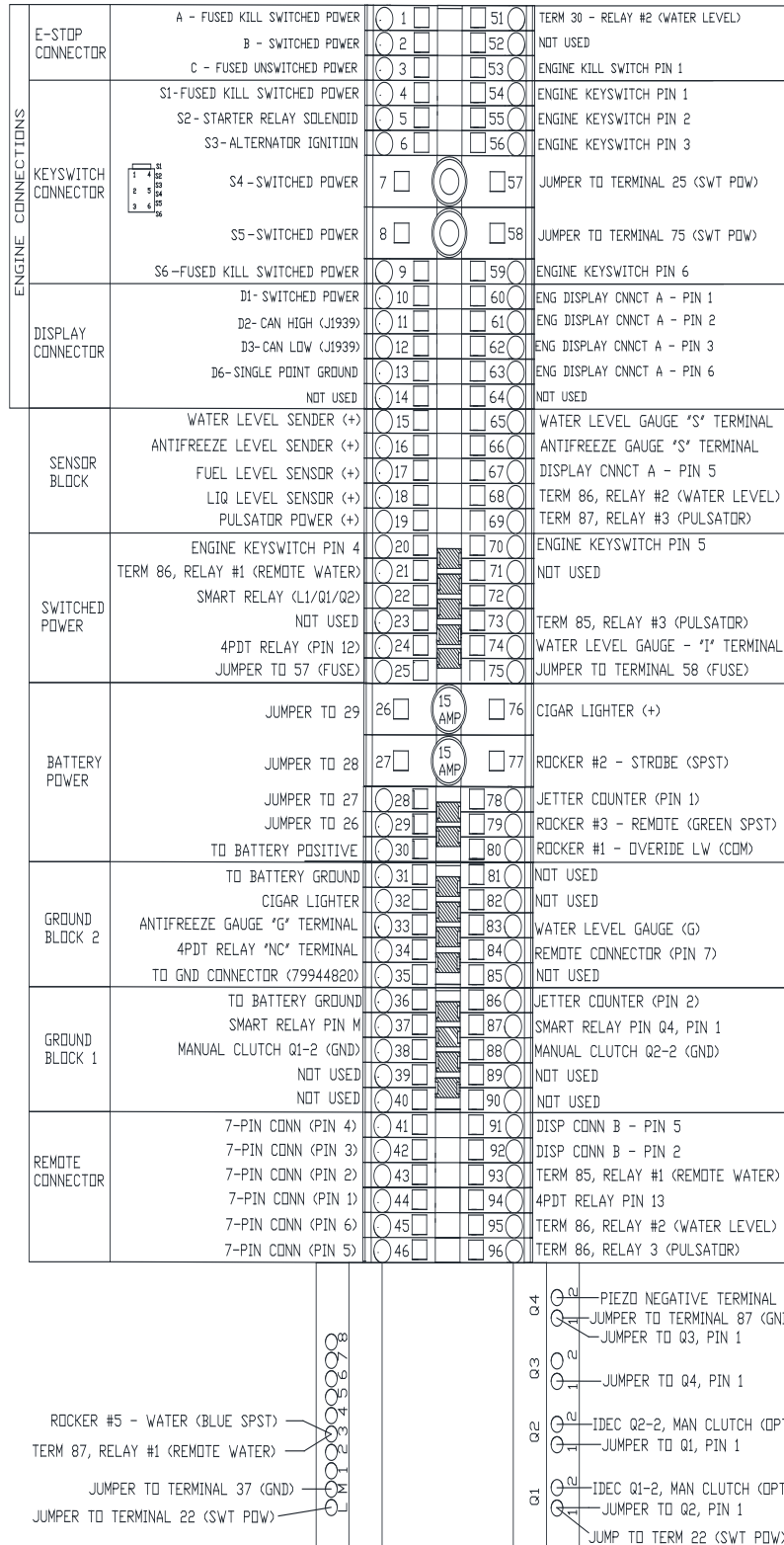


| Item | Part No. | Description | Qty. | Item | Part No. | Description | Qty. |
|------|----------|--|------|------|----------|---------------------------------------|------|
| 1 | 01588200 | Washer, Flat #10 SAE | 10 | 29 | 79945550 | Relay, IDEC Smart | 1 |
| 2 | 02823800 | Screw, Machine 10-32 X 3/8 | 10 | 30 | 79945610 | Din Rail - 17 inches | 2 |
| 3 | 03850100 | Nut, Hex Kep 10-32 | 10 | 31 | 79945620 | Din Rail - 8.5 inches | 2 |
| 4 | 44294100 | Jumper Wire Piggyback | 4 | 32 | 79945710 | O-Ring, Buna 3/8ID - 1/2OD | 6 |
| 5 | 61021600 | Nut, 8-32 | 2 | 33 | 79945720 | O-Ring, Buna 1/2ID - 5/8 OD | 2 |
| 6 | 62017800 | Screw, Flat Hd 8-32 x 3/8 | 2 | 34 | 79945730 | O-Ring, Buna 1-7/8 - 2" OD | 2 |
| 7 | 75823600 | Relay | 3 | 35 | 79945740 | O-Ring, Buna 3-1/4ID - 3-3/8 | 2 |
| 8 | 75875850 | Harness, Main Power Counter | 1 | 36 | 79946700 | Fuse Holder, Din Rail Screwless | 4 |
| 9 | 79804500 | Plug, 12V DC | 1 | 37 | 79946900 | Set, Warrior Control Jumpers | 1 |
| 10 | 79850400 | Fuse, 15 Amp | 2 | 38 | 79953320 | Trailer Cable, PVC 18/7 | 2 |
| 11 | 79903540 | Relay, 4-Pole 5 amp | 1 | 39 | 79953540 | Trailer Cable, PVC 16/6 | 1 |
| 12 | 79903541 | Socket, 5A Relay | 1 | 40 | 79953550 | Trailer Cable, PVC 14-12-10 GA | 1 |
| 13 | 79925310 | Display-Control, T4 Engine | 1 | 41 | 79953610 | Strain Relief, Blk 1/2 NPT x .24-.47" | 3 |
| 14 | 79925320 | Key Switch, Ignition 3POS Sealed Deutsch | 1 | 42 | 79953620 | Strain Relief, Blk 3/4 NPT x .35-.63" | 1 |
| 15 | 79944620 | Rocker, Black SPST 20A, 12 VDC | 2 | 43 | 79953630 | Enclosure, Warrior Mod 2016 | 1 |
| 16 | 79944630 | Rocker, Blue Illum SPST 20A, 12 VDC | 1 | 44 | 79953640 | Connector, Deutsch 12 Way Grey Plug | 1 |
| 17 | 79944640 | Rocker, Green Illum SPST 20A, 12 VDC | 1 | 45 | 79953650 | Wedge, Plug 12 Way Deutsch | 1 |
| 18 | 79944650 | Rocker, Black DPDT 20A, 12VDC | 1 | 46 | 79953660 | Terminal Delphi Female 12-10 | 1 |
| 19 | 79944660 | Decal, Warrior Enclosure Face | 1 | 47 | 79953670 | TPA Clip, 3Pos Female Connect Delphi | 1 |
| 20 | 79944710 | Harness, Keyswitch Box-Int | 1 | 48 | 79953680 | Terminal Delphi Female 12-10 | 3 |
| 21 | 79944720 | | 1 | 49 | 79953690 | Connector, Deutsch 8 Way Grey Plug | 2 |
| 22 | 79944812 | | 10 | 50 | 79953700 | Wedge, Plug 8Way Deutsch | 2 |
| 23 | 79944854 | Seal, Delphi 4.3-3.45 Blue | 3 | 51 | 79953710 | Contact, Socket 16-18 Deutsch | 14 |
| 24 | 79945400 | Gauge, Tank Level 2008 | 2 | 52 | 79954400 | Switch, E-Stop | 1 |
| 25 | 79945410 | Decal, Anti-Freeze | 1 | 53 | 79954500 | Legend Plate, E-Stop | 1 |
| 26 | 79945500 | Terminal Block, Din Rail Screwless | 36 | 54 | 79955100 | Buzzer with Wires | 1 |
| 27 | 79945510 | Jumper-Terminal Block | 15 | 55 | 79957500 | Desiccant Bag, Indicating | 5 |
| 28 | 79945540 | Tag, Term Block Marking 1-100 | 1 | | | | |

Control Box Assembly - 79953600

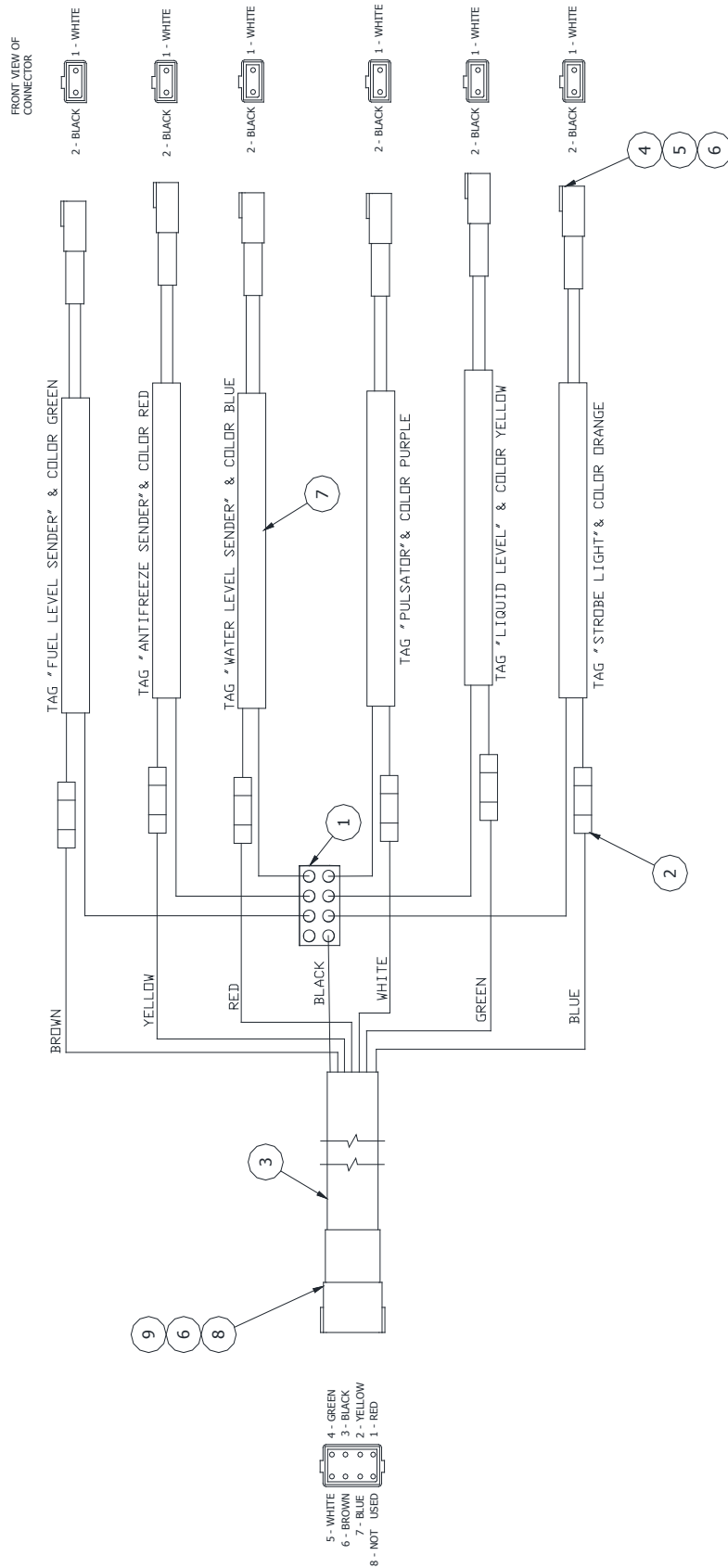


Final Wiring Schematic Terminal Block - 79944700



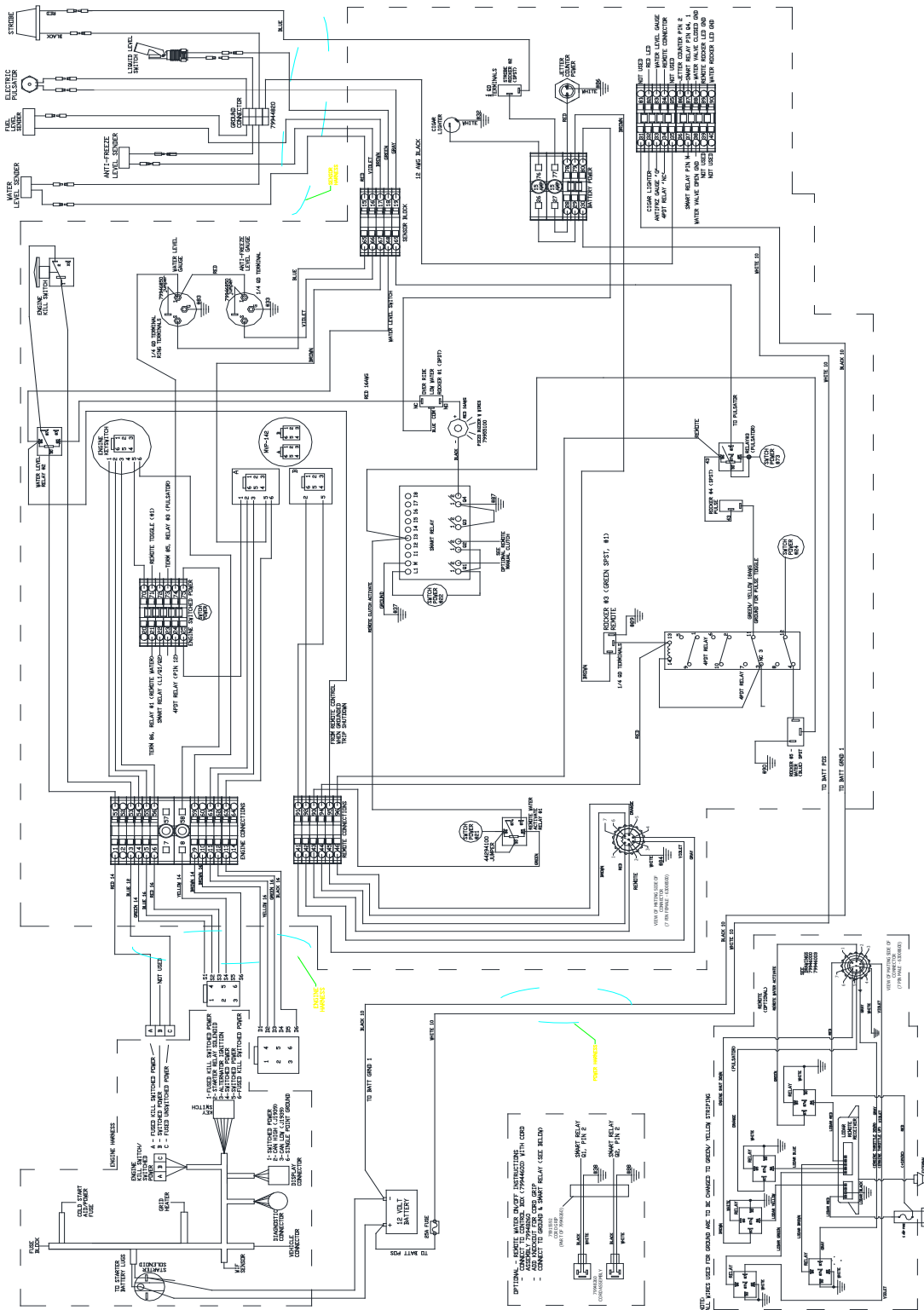


Wiring Harness - 79953300



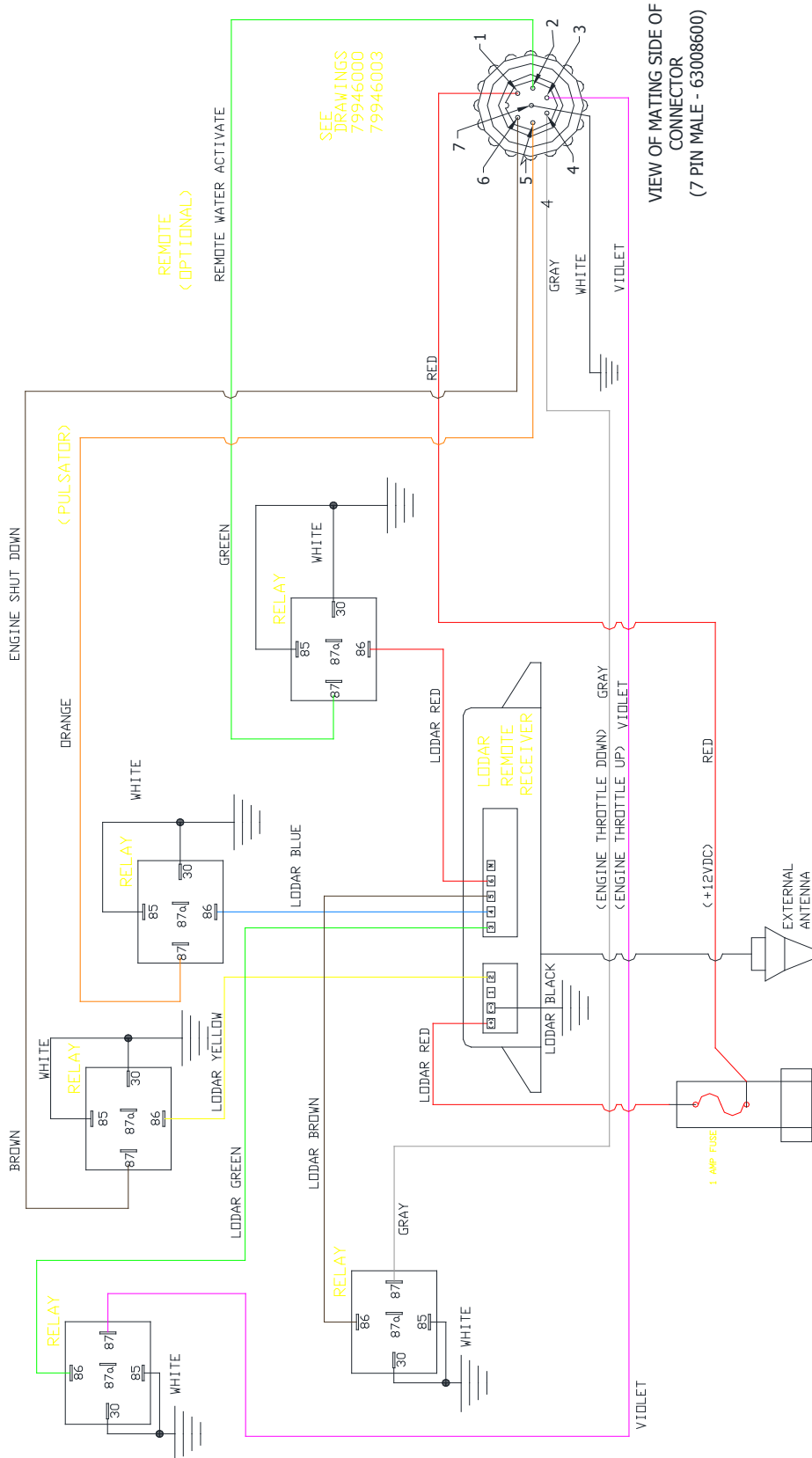
| Item | Part No. | Description | Qty. |
|------|----------|----------------------------------|------|
| 1 | 79944820 | Connector-Push-On 6 Wire | 1 |
| 2 | 79953310 | Connector, Butt 20-18 GA Red | 6 |
| 3 | 79953320 | Trailer Cable, PVC 18/7 | 204" |
| 4 | 79953330 | Connector, 2 Way Grey Receptacle | 6 |
| 5 | 79953340 | Wedge, Receptacle 2 Way | 6 |
| 6 | 79953350 | Contact, Pin 16-18 | 19 |
| 7 | 79953360 | Service Cord, EP 300V 18/2 | 576" |
| 8 | 79953410 | Connector, 8 Way Grey Receptacle | 1 |
| 9 | 79953420 | Wedge, Receptacle 8 Way | 1 |

Warrior Wiring Schematic Control System 79944700

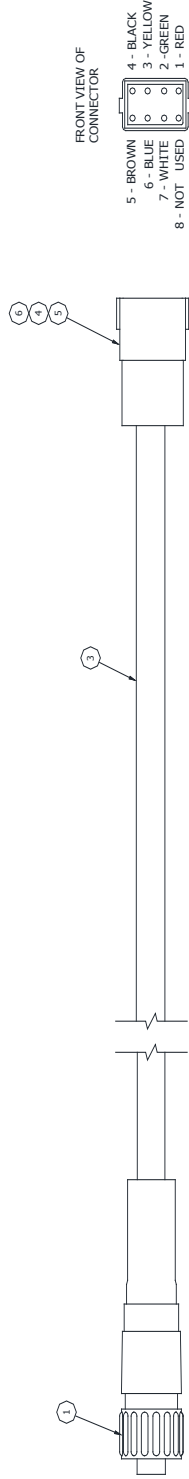




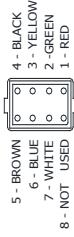
Wiring Schematic Remote Control - 79944700



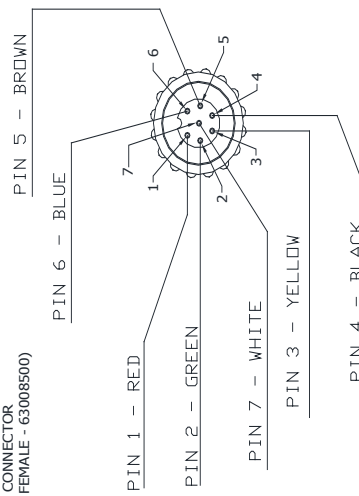
Wiring Harness T4 Remote - 79953400



FRONT VIEW OF CONNECTOR



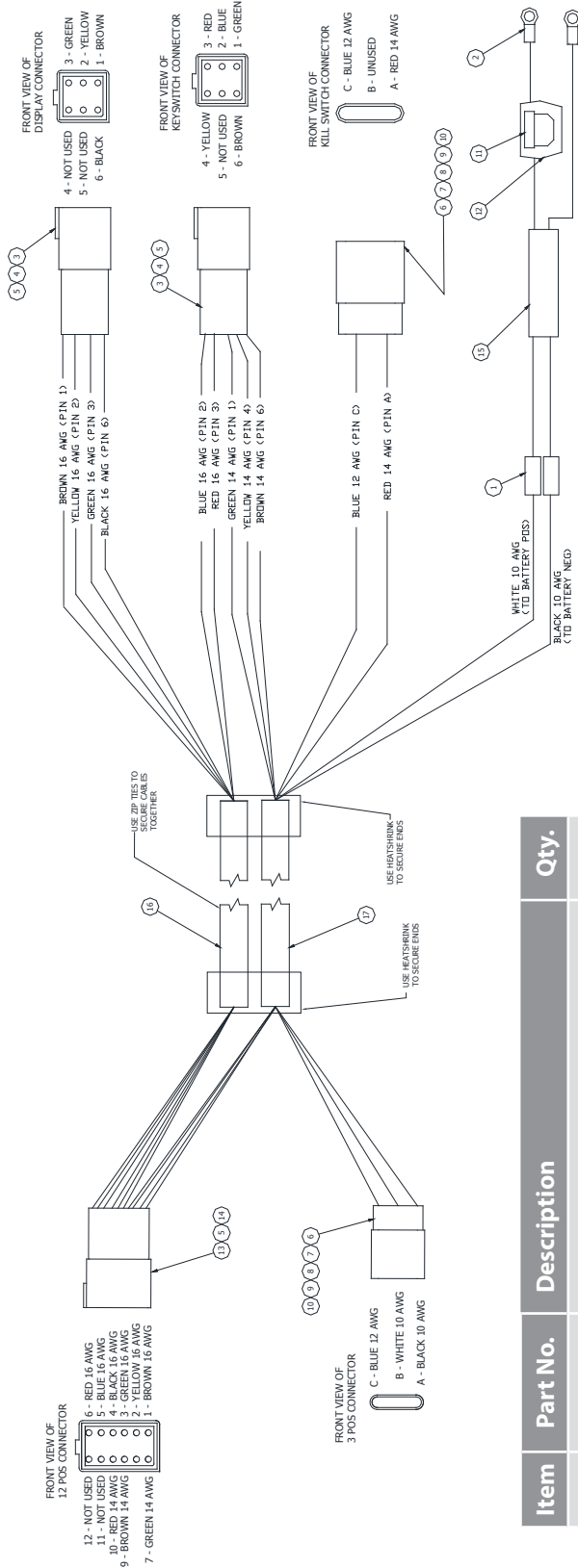
VIEW OF MATING SIDE OF CONNECTOR (7 PIN FEMALE - 63008500)



| Item | Part No. | Description | Qty. |
|------|----------|----------------------------------|------|
| 1 | 63008500 | Connector, Female 7 Pin | 1 |
| 2 | 79944400 | Heat Shrink Tubing 1/2" ID Black | 1 |
| 3 | 79953320 | Trailer Cable, PVC 18/7 | 216" |
| 4 | 79953350 | Contact, Pin 16-18 Deutsch | 7 |
| 5 | 79953410 | Connector, 8 Way Grey Receptacle | 1 |
| 6 | 79953420 | Wedge, Receptacle 8 Way Deutsch | 1 |

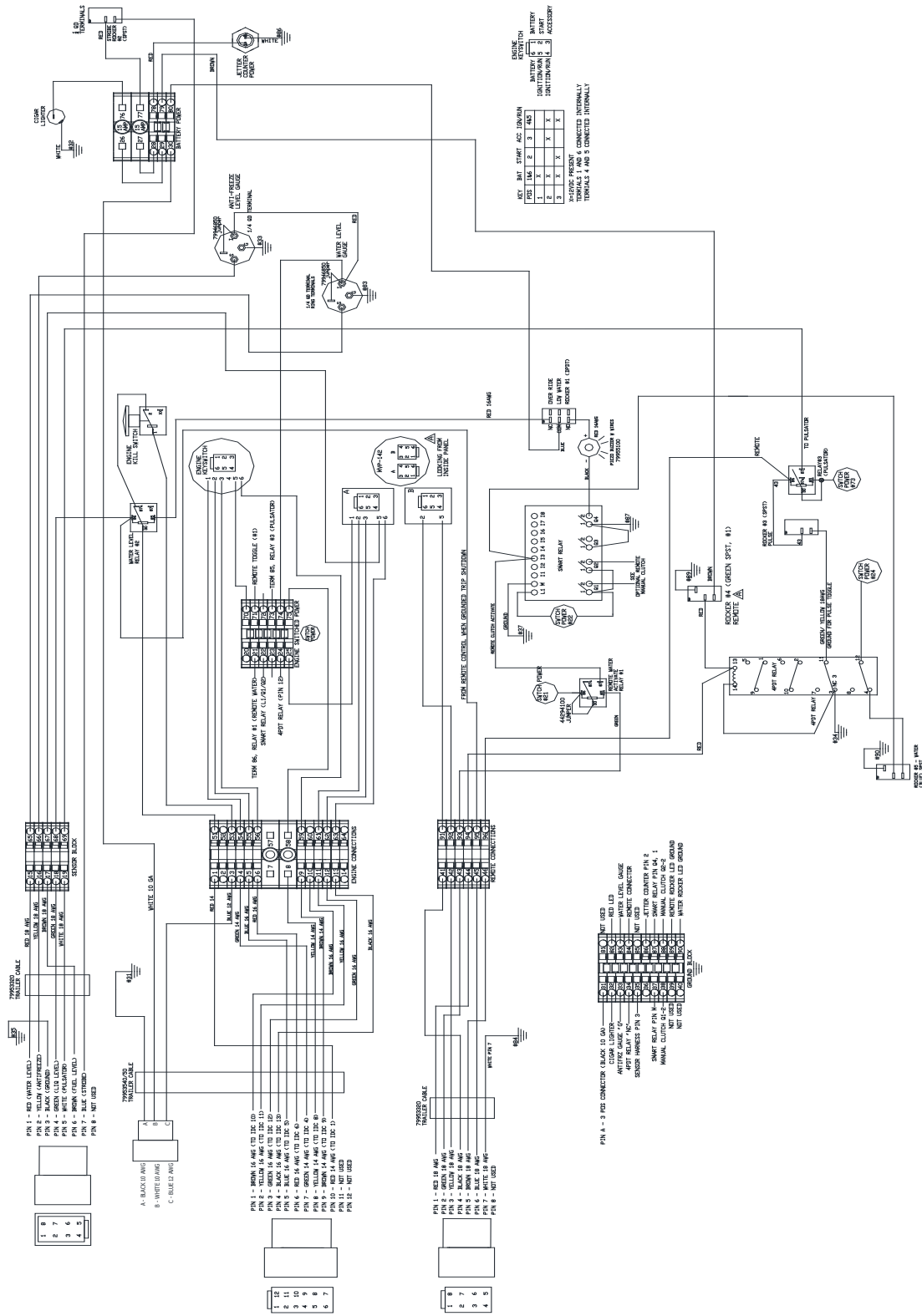


Wiring Harness T4 Engine Control 79953500

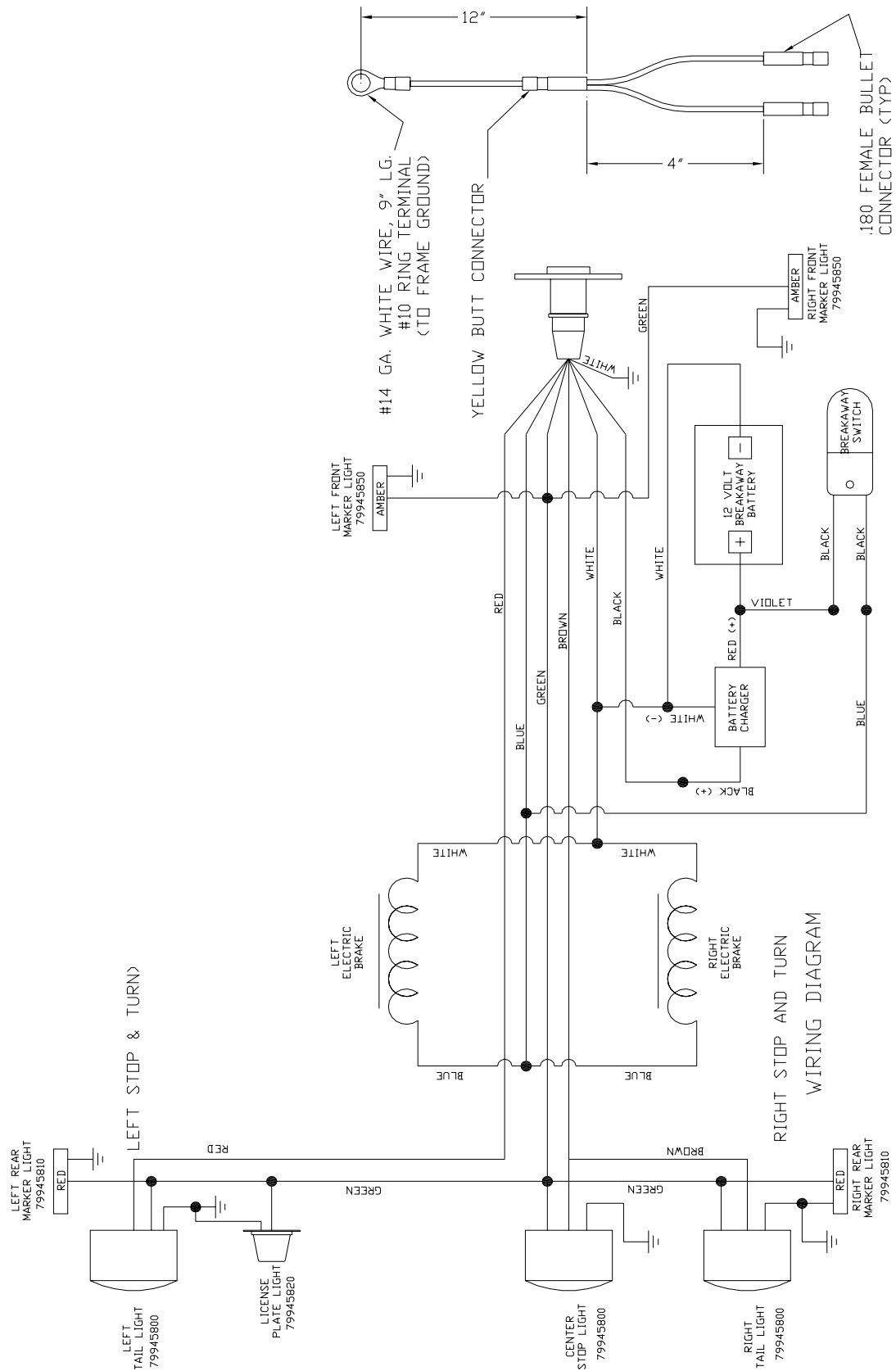


| Item | Part No. | Description | Qty. |
|------|----------|-----------------------------------|------|
| 1 | 75858840 | Terminal, Butt Splice 10-12AWG | 2 |
| 2 | 77806800 | Ring Terminal 5/16 x 12 AWG | 2 |
| 3 | 79944830 | Connector, 6 Way Grey Receptacle | 2 |
| 4 | 79944831 | Wedge, Receptacle 6 Way Deutsch | 2 |
| 5 | 79944832 | Contact, Pin 14-16 Deutsch | 19 |
| 6 | 79944850 | Connector, Delphi 3POS Male | 2 |
| 7 | 79944851 | TPA Clip, 3 POS Male Connector | 2 |
| 8 | 79944852 | Terminal, Delphi Male 12-10 AWG | 5 |
| 9 | 79944853 | Plug Seal, Delphi Connector | 1 |
| 10 | 79944854 | Seal, Delphi 4/30-3.45 - Blue | 5 |
| 11 | 79944860 | Fuse, 25 amp ATC Blade | 1 |
| 12 | 79944870 | Holder, Inline Fuse ATC | 1 |
| 13 | 79953510 | Connector, 12 Way Grey Receptacle | 1 |
| 14 | 79953520 | Wedge, Receptacle 12 Way | 1 |
| 15 | 79953530 | Service Cord, EP 300V 18/2 | 1 |
| 16 | 79953540 | Trailer Cable, PVC 16/6 | 246" |
| 17 | 79953550 | Trailer Cable, PVC 14-12-10 GA | 294" |

Wiring Harness Control Box 79953600



Optional Footage Counter - 79975000





Standard & Optional Accessories

| Part No. | Description |
|----------|------------------------------------|
| 73817300 | Wash Down Accessory Kit |
| 77816000 | 1/4" x 75' Thermoplastic Hose |
| 73808602 | 3/8" x 150' Thermoplastic Hose |
| 73808600 | 3/8" x 250' Thermoplastic Hose |
| 73808603 | 3/8" x 350' Thermoplastic Hose |
| 77771100 | 1/2" x 150' Thermoplastic Hose |
| 77771200 | 1/2" x 250' Thermoplastic Hose |
| 79871600 | 1/2" x 500' Thermoplastic Hose |
| 79944100 | 5/8" x 100' Tank Fill Hose |
| 77799800 | Handgun - Lance Assembly |
| 77800600 | Hose Guard (Tiger Tail) |
| 79873500 | Hose, Anti-Turnaround Device |
| 44256200 | Jetting Safety Gloves |
| 77752600 | Mobile Hose Reel |
| 71109900 | Tip Cleaner |
| 77763700 | Venturi Pump |
| 79824600 | Regular Nozzle - Closed |
| 79824700 | Regular Nozzle - Open |
| 79864500 | Grenade Nozzle |
| 78752100 | Q Nozzle |
| 78752000 | Rocket Nozzle |
| 78752200 | Rotating Nozzle |
| 79921101 | Warthog Nozzle (3" - 4" lines) |
| 79921200 | Warthog Nozzle (4" - 8" lines) |
| 79922900 | Warthog Nozzle (6" - 18" lines) |
| 75831010 | Warthog Nozzle Service Kit (3-4") |
| 79921210 | Warthog Nozzle Service Kit (4-8") |
| 79922910 | Warthog Nozzle Service Kit (6-18") |
| 79923400 | Warthog Skid (6" - 18" lines) |
| 77701401 | 1/4" Trap Hose Nozzle |
| 79921000 | 4000 PSI Performance Nozzle Kit |

Tire Safety Information



This portion of the User's Manual contains tire safety information as required by 49 CFR 575.6.

The National Traffic Safety Administration (NHTSA) has published a brochure (DOT HS 809 361) that discusses all aspects of Tire Safety, as required by CFR 575.6. It can be obtained and downloaded, free of charge, from the NHTSA website.

Tire Safety Terminology Glossary

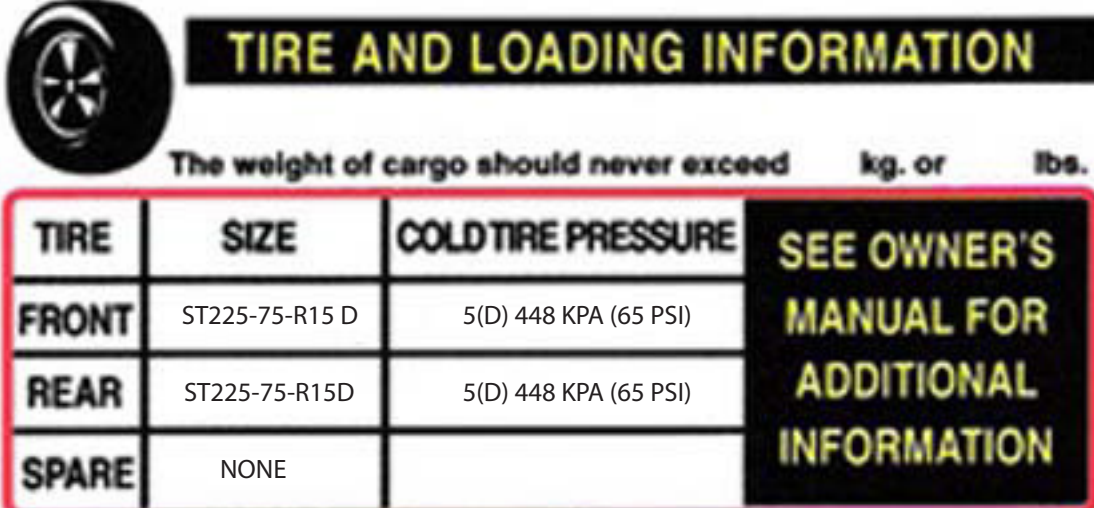
- **Cold tire inflation pressure** - the pressure in the tire before you drive
- **Gross Axle Weight Rating (GAWR)** - The maximum weight that any axle can support, as published on the Certification / VIN label on the front left side of the trailer. Actual weight determined by weighing each axle on a public scale, with the trailer attached to the towing vehicle.
- **Gross Vehicle Weight Rating (GVWR)** - The maximum weight of the fully loaded trailer, as published on the Certification / VIN label. Actual weight determined by weighing trailer on a public scale, without being attached to the towing vehicle.
- **Load rating** - The maximum load that a tire is rated to carry for a given inflation pressure.
- **Maximum load rating** - The load rating for a tire at the maximum permissible inflation pressure for that tire.
- **Maximum permissible inflation pressure** - The maximum cold inflation pressure to which a tire may be inflated.
- **Outer diameter** - The overall diameter of an inflated new tire.
- **Recommended inflation pressure** - The inflation pressure provided by the vehicle manufacturer on the Tire Information label and the Certification/VIN tag.
- **Rim** - a metal support for a tire or a tire and tube assembly upon which the tire beads are seated.
- **Vehicle maximum load on the tire** - The load on an individual tire that is determined by distributing to each axle its share of the maximum loaded vehicle weight and dividing by two.

Tire Information Placard

The Spartan Warrior's Federal Certification/VIN label is located on the forward half of the left (road) side of the unit. The VIN label will identify the units GVWR and GAWR.

The Spartan Warrior's Tire Information Placard can be located adjacent to the trailer's VIN (Certification) label at the left front of the trailer. The placard includes the Warrior's tire size, cold tire inflation pressure, and load limitations. The load limitation statement will give an indication of the maximum cargo capacity. Any items (cargo) added to the Warrior must not cause the total weight of the Warrior to exceed the stated GVWR.

Ultimate and High Flow Warrior Tire Information



The weight of cargo should never exceed **kg. or lbs.**

| TIRE | SIZE | COLD TIRE PRESSURE | SEE OWNER'S MANUAL FOR ADDITIONAL INFORMATION |
|-------|----------------|-----------------------|--|
| FRONT | ST225-75-R15 D | 5(D) 448 KPA (65 PSI) | |
| REAR | ST225-75-R15D | 5(D) 448 KPA (65 PSI) | |
| SPARE | NONE | | |

Fig. 34-1

Tire Safety Information

Steps for Determining Correct Load Limit

1. Locate the statement "The weight of cargo should never exceed 1157 kg or 2550 lbs" on your tire information placard.
2. This figure equals the available amount of cargo and luggage load capacity.
3. Determine the combined weight of luggage and cargo being loaded on the vehicle. That weight may not safely exceed the available cargo and luggage load capacity.

General Tire Information

- Tire inflation pressure is the level of air in the tire that provides the load-carrying capacity and affects the overall performance of the vehicle. The tire inflation pressure is a number that indicates the amount of air pressure a tire requires to be properly inflated. Since tires are designed to be used on more than one type of vehicle, tire manufacturers list the "maximum permissible inflation pressure" on the tire sidewall. This number is the greatest amount of air pressure that should ever be put in the tire under normal driving conditions.
- Improper inflation is the main cause of tire failure. Excessive loads and/or under inflation cause tire overloading, which leads to abnormal tire flexing. Check the cold tire inflation pressures at least once a week for proper inflation levels.
- The proper air pressure may be found on the Certification/VIN label and/or the Tire Information placard.
High speed towing in hot conditions degrades the life of the Warrior's tires. The internal heat generated from high speeds breaks down the tire's internal structure. It is recommended to drive at moderate speeds.
- If the trailer is stored for an extended period of time, the tires should be fully inflated to the maximum rated pressure. The Warrior should be stored in a cool, dry place. Use tire covers to protect the trailer tires from the harsh effects of the sun.

Tire Maintenance

Checking Tire Pressure

- The recommended tire inflation pressure that vehicle manufacturers provide reflects the proper PSI when a tire is cold. A cold tire is one that has not been driven on for at least three hours. Since driving raises the tires temperature, the internal air pressure also increases. To prevent inflated tire readings, the tire must be measured when cold.

Maintaining Proper Tire Pressure

- a. Locate the recommended tire pressure on the vehicle's tire information placard, certification label, or in the Owner's Manual.
- b. Record the tire pressure of all tires.
- c. If the tire pressure is too high in any tires, slowly release air by gently pressing on the tire valve stem with the edge of your tire gauge until the correct pressure is reached.
- d. If the tire pressure is too low, note the difference between the measured tire pressure and the correct tire pressure. Add the missing pounds of air pressure to each tire that is under inflated.
- e. Check all the tires to make sure they have the same air pressure.



NOTE: If the tires are warm due to driving, but testing confirms under inflation, fill the tire to the recommended cold inflation pressure. While the tire may be slightly under inflated due to extra pressure in the warm tire, it is safer to drive a slightly under inflated tire than to drive a significantly under inflated tire. Since this is a temporary fix, the tire must be re-checked and adjusted once a cold reading can be obtained.

Tire Size and Tread

- Tires should be replaced when the tread is worn down 1/16 of an inch.
- Treadwear indicators on the bottom of the tire can be used as a guide. The indicators are raised sections spaced intermittently in the bottom of the tread groves. If they appear even with the outside of the tread, the tire should be replaced.
- Replacement tires should be the same size as the Warrior's original tires. To prevent error and maintain safety, it is recommended that all replacement parts be purchased through Spartan Tool LLC.

Tire Balance and Wheel Alignment

- Tires must be properly balanced to avoid vibrations and shaking of the trailer. A wheel alignment adjusts the angles of the wheels to position them correctly relative to the trailer's frame. Such adjustments can maximize the life of the tires, but should be performed by a qualified technician.

Tire Repair

- A punctured tire can be repaired by plugging the hole and patching the area that surrounds the puncture hole. A small puncture in the tire tread can be repaired, but punctures to the sidewall should not. Tires should be removed from the rim to be properly inspected before plugging.

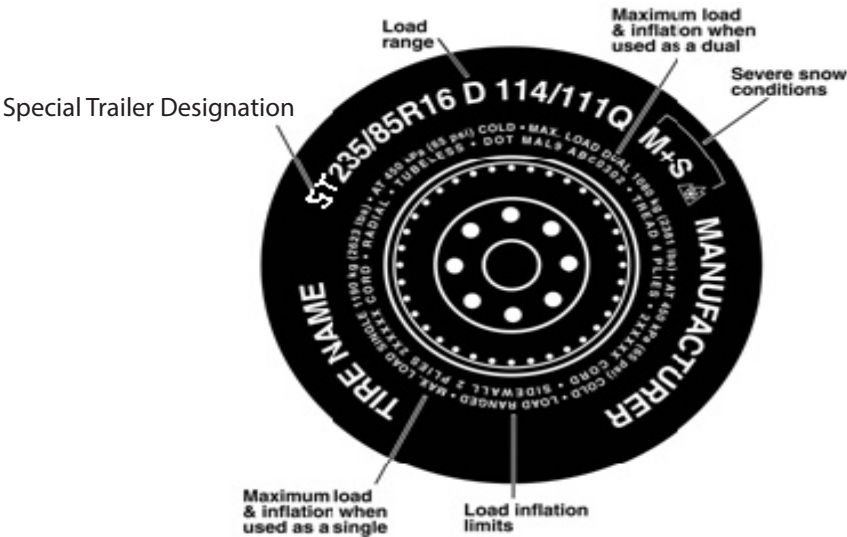


Fig. 36-1

Tire Fundamentals

- Federal law requires tire manufacturers to place standardized information on the sidewall of all tires. This information identifies and describes the fundamental characteristics of the tire. It also provides a tire identification number for safety standard certification and in case of a recall.

Tire Safety Tips

Preventing Tire Damage

- Slow down before driving over a pothole or other object in the road.
- Do not run over curbs or other foreign objects in the roadway.

Tire Safety Checklist

- Check tire pressure regularly (at least once a month).
- Inspect tires for uneven wear patterns on the tread, cracks, foreign objects, or other signs of wear or trauma.
- Remove bits of glass and foreign objects wedged in the tread.
- Make sure tire valves have valve caps.
- Check tire pressure before any long trips.
- Do not overload trailer. Check the Tire Information Placard for the maximum recommended trailer load.



Safety Information

Confirm that:

- The coupler is secured to the hitch and is locked.
- Electrical connections are made.
- There is appropriate slack in the safety chains.
- There is appropriate slack in the breakaway switch pull-pin cable.
- The tires are not visibly low on pressure, and the cargo is secure and in good condition.

Reporting Safety Defects

If you believe that your vehicle has a defect that could cause a crash or could cause injury or death, you should immediately inform the National Highway Traffic Safety Administration (NHTSA) in addition to notifying Spartan Tool LLC.

If NHTSA receives similar complaints, it may open an investigation, and if it finds that a safety defect exists in a group of vehicles, it may order a recall and remedy campaign. However, NHTSA cannot become involved in individual problems between you, your dealer, or Spartan Tool LLC.

To contact NHTSA, you may either call the Vehicle Safety Hotline toll-free at 1-888-327-4236 (TTY: 1-800-424-9153), go to <http://www.safercar.gov>; or write to

Administrator
NHTSA
1200 New Jersey Avenue S.E.
Washington, DC 20590

You can also obtain other information about motor vehicle safety from
<http://www.safercar.gov>.

Spartan Tool LLC
1618 Terminal Road
Niles, MI 49120

Diesel & Gas Engine Emissions



All Kohler Diesel engines are tested to meet emissions standards.

See below for the emissions authentication label.



| | |
|--|-----------------|
| KOHLER | |
| EMISSION CONTROL INFORMATION | |
| THIS ENGINE COMPLIES WITH U.S. EPA/ CALIFORNIA REGULATIONS FOR 2013 NONROAD DIESEL ENGINES | |
| POWER CATEGORY: 37 - 55 kW | |
| DISPL: 2.462 | PM: 0.030 g/kWh |
| ENGINE FAMILY ID: DKHXL2.48TCR | |
| EMISSION CONTROL SYSTEM: DDI, DOC, TC, ECM, EGR | |
| ULTRA LOW SULFUR FUEL ONLY | |
| TUNEUP SPECIFICATION | |
| INJECTION TIMING: VARIABLE | |
| INJECTOR OPENING PRESSURE: VARIABLE | |

Fig. 83-2

All Kubota Gas engines are tested to meet emissions standards.

See below for the emissions authentication label.

| | | |
|--|------------------------------|----------|
| EMISSION CONTROL INFORMATION | | |
| THIS ENGINE MEETS 2022 U.S. EPA REGULATIONS FOR NONROAD AND STATIONARY SI ENGINES, AND CALIFORNIA REGULATIONS FOR OFF-ROAD LARGE SI ENGINES. | | |
| Kubota KUBOTA Corporation | | DEL ASSY |
| MODEL: WG3800-G-ET | FAMILY: NKBXB03.8CFA | |
| ENGINE DISP.: 3.8L | ECS: EM, ECM, MFI, TWC, HO2S | |
| CERTIFIED EMISSION STD: 0.8g/kW-hr HC+NOx 20.6g/kW-hr CO | | |
| THIS ENGINE IS CERTIFIED TO OPERATE ON UNLEADED GASOLINE. | | |
| VALVE LASH: 0.20mm | SPARK PLUG GAP WIDTH: 0.8mm | |
| NO OTHER ADJUSTMENTS NEEDED. 2022/12 1H963-1 | | |

Fig. 83-3

SAMPLE EMISSIONS LABELS



Diesel Engine Filters and Capacities

| Item | Identity |
|----------------------------------|-------------------------------|
| Oil Filter | ED 0021753090-S |
| Oil Suggestion | Shell Rotella T6 Full Syn |
| Oil Capacity | 3.25 Gallons |
| Fuel Filter Primary | ED 0021753180-S |
| Air Filter Elements PSD080020 | Main: P600975 2nd: P608533 |
| Air Filter Screen | 500-02499 |
| Coolant Suggestion | John Deere Cool-Gard II |
| Coolant Capacity | 3.5 gallons |
| Fan V-Belt | ED 0024001450-S |
| Fan Belt Serpentine | ED 0024404860-S |

Warranty Information



For our terms and conditions, including warranty, please visit <https://spartantool.com/pages/terms-and-conditions>. For warranty assistance, please contact us at (800) 435-3866 or customerservice@spartantool.com.

CONTACT US

Spartan Tool LLC
1618 Terminal Road
Niles, MI 49120
800.435.3866
SpartanTool.com



SPARTAN TOOL

FOR TOUGH CUSTOMERS. SINCE 1943.

CONTACT US

Spartan Tool LLC
1618 Terminal Road
Niles, MI 49120

800.435.3866

SpartanTool.com